



To download the full installation and user manuals and register your product, please visit:
www.DSC.com/m/29009595 or scan the QR code to the right.



PowerSeries Neo V1.2 Alarm Control Installation Guide

Quick Setup

1	Plan	Plan the installation including all alarm detection devices, zone expanders, keypads and other required modules.
2	Mount	Decide on a location for the alarm panel and secure it to the wall using suitable mounting hardware.
3	Wire	Complete all wiring including modules, zones, bells/sirens, telephone line connections and ground connections. Record module serial numbers on page 19.
4	Power	Connect the battery and power up the system. The battery must be connected.
5	Enroll First Keypad	Hardwired: Wire the keypad to the Corbus, power up the alarm panel then press any button on the keypad. Wireless: Wire the HSM2Host to the Corbus, then power up the alarm panel and a wireless keypad. Press any button on the keypad to enroll it. The HSM2Host is then enrolled on the alarm panel. Alternately, enroll an RF keypad.
6	Enroll modules	[*][8][Installer Code][902] subsection [000]. Press [*] to begin auto-enrollment. Module slots are automatically assigned. Use scroll keys to view slots. Change slot by typing a 2-digit number.
7	Enroll wireless devices	[*][8][Installer Code][804] subsection [000]. Note: An HSM2HOST or RF keypad must be enrolled first.
8	Program	Basic programming: [*][8][installer code] [001]/[002]> Zone Type/Zone Attribute [005]>[001] Partition 1 Timers: – Entry Delay 1 – Entry Delay 2 – Exit Delay [301]>[001] Phone #1 [310]>[000] System Account Code.
9	Test	Test the panel completely to ensure that all features and functions operate as programmed. – [901] Walk Test – [904] [000] Wireless Placement Test.

Compatible Devices

Throughout this document, x in the model number represents the operating frequency of the device as follows: 9 (912-919 MHz), 8 (868MHz), 4 (433MHz).

Table 1-1 Compatible Devices

Modules		
Wireless keypads:	HS2LCDWFx HS2LCDWFPx	HS2LCDWFPVx
Hardwired keypads with 2-way wireless integration module:	HS2LCDRFx HS2LCDRFPx	HS2ICNRFx HS2ICNRFPx
Hardwired keypads:	HS2LCD HS2LCDP HS2ICN	HS2ICNP HS2LED
Touchscreen Keypad	HS2TCHP	
2-way wireless integration module:	HSM2HOSTx	
8-zone expander:	HSM2108	
8-output expander:	HSM2208	
Power supply:	HSM2300	
4 high current output expander:	HSM2204	

Alternate communicator:	3G2080 3G2080R TL280 TL280R	TL2803G TL2803GR PCL-422
-------------------------	--------------------------------------	--------------------------------

Hardwired Devices

2-wire smoke detectors:	FSA-210x FSA-210xT FSA-210xS FSA-210xST FSA-210xLST	FSA-210xR FSA-210xRT FSA-210xRS FSA-210xRST FSA-210xLRST
4-wire smoke detectors:	FSA-410x FSA-410xT FSA-410xS FSA-410xST FSA-410xLST	FSA-410xR FSA-410xRT FSA-410xRS FSA-410xRST FSA-410xLRST
y= A, B, or C A: ULC listed models B: UL listed models C: European and Australian models		
CO detectors:	CO-12/24 12-24SIR FW-CO12	FW-CO1224 CO1224

Wireless Devices

Wireless PG smoke detectors	PGx926
Wireless PG smoke and heat detector	PGx916
Wireless PG CO detector:	PGx913
Wireless PG PIR motion detectors:	PGx904(P)
Wireless PG PIR + camera motion detector	PGx934(P)
Wireless PG curtain motion detector	PGx924
Wireless PG dual tech motion detector	PGx984(P)
Wireless PG mirror motion detector	PGx974(P)
Wireless PG outdoor motion detector	PGx994
Wireless PG glass break detector:	PGx912, PGx922
Wireless PG shock detector:	PGx935
Wireless PG flood detector:	PGx985
Wireless PG temperature detector (indoor use):	PGx905
Outdoor temperature probe (requires PGx905)	PGTEMP-PROBE
Wireless PG keys:	PGx939 PGx929
Wireless PG panic key	PGx938
Wireless PG 2-button key	PGx949
Wireless PG sirens:	PGx901 PGx911
Wireless PG repeater:	PGx920
Wireless PG door/window contacts:	PGx975
Wireless PG door/window contact w/ AUX	PGx945

Central Station Receivers

SG-System I, II, III, IV, 5

Enclosures

PC5003C, PC4050CR, PC4050CAR, CMC-1, PC4051C. Other enclosures are available to suit a variety of system configurations.



WARNING: This manual contains information on limitations regarding product use and function and information on the limitations as to liability of the manufacturer. The entire manual should be carefully read.

Safety Instructions for Service Personnel

Warning: When using equipment connected to the telephone network, always follow the basic safety instructions provided with this product. Save these instructions for future reference. Inform the end-user of the safety precautions that must be observed when operating this equipment.

Before Installing The Equipment

Ensure your package includes the following items:

- Installation and User manuals, including the SAFETY INSTRUCTIONS. READ and SAVE these instructions! Follow all WARNINGS AND INSTRUCTIONS specified within this document and/or on the equipment.
- HS2016/HS2016/2032/2064/2128 alarm controller
- Power Supply, direct plug-in
- Mounting hardware

Selecting A Suitable Location For The Alarm Controller

Use the following list as a guide to find a suitable location to install this equipment:

- Locate near a telephone socket and power outlet.
- Select a location free from vibration and shock.
- Place alarm controller on a flat, stable surface and follow the installation instructions.
Do NOT locate this product where people may walk on the secondary circuit cable(s).
Do NOT connect alarm controller to electrical the same circuit as large appliances.
Do NOT select a location that exposes your alarm controller to direct sunlight, excessive heat, moisture, vapors, chemicals or dust.
Do NOT install this equipment near water. (e.g., bath tub, kitchen/laundry sink, wet basement, near a swimming pool).
Do NOT install this equipment and accessories in areas where risk of explosion exists.
Do NOT connect this equipment to electrical outlets controlled by wall switches or automatic timers.

AVOID interference sources.

AVOID installing equipment near heaters, air conditioners, ventilators, and refrigerators.

AVOID locating equipment close to or on top of large metal objects (e.g., wall studs).

See "Locating Detectors and Escape Plan" on page 20 for information on locating smoke and CO detectors.

SAFETY Precautions Required During Installation

- NEVER install this equipment and/or telephone wiring during a lightning storm.
- NEVER touch uninsulated telephone wires or terminals unless the telephone line has been disconnected at the network interface.
- Position cables so that accidents can not occur. Connected cables must NOT be subject to excessive mechanical strain.
- Use only the power supply provided with this equipment. Use of unauthorized power supplies may cause damage.
- For direct plug-in versions, use the transformer supplied with the device.

WARNING: THIS EQUIPMENT HAS NO MAINS ON/OFF SWITCH. THE PLUG OF THE DIRECT PLUG-IN POWER SUPPLY IS INTENDED TO SERVE AS THE DISCONNECTING DEVICE IF THE EQUIPMENT MUST BE QUICKLY DISCONNECTED. IT IS IMPERATIVE THAT ACCESS TO THE MAINS PLUG AND ASSOCIATED MAINS SOCKET/OUTLET IS NEVER OBSTRUCTED.

IMPORTANT NOTE FOR INTERNATIONAL MARKET (EU, AUS, NZ)!

This equipment is stationary-fixed and must be installed by Service Persons only (Service Person is defined as a person having the appropriate technical training and experience necessary to be aware of hazards to which that person may be exposed in performing a task and of measures to minimize the risks to that person or other persons). It must be installed and used within an environment that provides the pollution degree max 2, over voltages category II, in non-hazardous, indoor locations only.

When using equipment connected to the mains and/or to the telecommunication network, there are basic safety instructions that should always be followed. Refer to the safety instructions provided with this product and save them for future reference. To reduce the risk of fire, electric shock and/or injury, observe the following:

Do not attempt to service this product yourself. Opening or removing the cover may expose you to dangerous voltage or other risk. Refer servicing to qualified service persons. Never open the device yourself. Use authorized accessories only with this equipment. DO NOT leave and/or deposit ANY object on the top of the cabinet of this equipment! The cabinet as it is installed on the wall is not designed to support any supplementary weight! Do not spill any liquids on the cabinet. Do not touch the equipment and its connected cables during an electrical storm; there may be a risk of electric shock. Never touch uninsulated wires or terminals unless the equipment has

been disconnected from the mains supply and from the telecommunication network! Ensure that cables are positioned so that accidents cannot occur. Connected cables must not be subject to excessive mechanical strain. Do not spill any type of liquid on the equipment. Do not use the Alarm system to report a gas leak if the system is near a leak. Do not subject the connected cables to an excessive mechanical strain.

These safety instructions should not prevent you from contacting the distributor and/or the manufacturer to obtain any further clarification and/or answers to your concerns.

Installation

Mounting the Enclosure

Locate the panel in a dry area, preferably near an unswitched AC power source and the incoming telephone line. Complete all wiring before applying AC or connecting the battery.

Terminal Descriptions

The following terminals are available on the PowerSeries Neo alarm controller.

Terminal	Description
BAT+, BAT-	Battery terminals. Use to provide backup power and additional current when system demands exceed the power output of the transformer, such as when the system is in alarm. Do not connect the battery until all other wiring is complete.
AC	Power terminals. Connect the battery before connecting the AC. Do not connect the battery or transformer until all other wiring is complete.
AUX+, AUX-	Auxiliary terminals. Use to power modules, detectors, relays, LEDs, etc. (700mA MAX). Connect the positive side of device to AUX+, the negative side to AUX-.
BELL+, BELL-	Bell/Siren power (700mA MAX). Connect the positive side of any alarm warning device to BELL+, the negative side to BELL-.
RED, BLK, YEL, GRN	Corbus terminals. Use to provide communication between the alarm controller and connected modules. Each module has four Corbus terminals that must be connected to the Corbus.
PGM1 to PGM4	Programmable output terminals. Use to activate devices such as LEDs. (PGM1, PGM3, and PGM4: 50mA PGM2: 300mA or can be configured as an input)
Z1 to Z8 COM	Zone input terminals. Ideally, each zone should have one detection device; however, multiple detection devices can be wired to the same zone.
EGND	Earth ground connection.
TIP, RING, T-1, R-1	Telephone line terminals.
PCLINK_1	DLS/SA
PCLINK_2	DLS/SA, Alternate Communicator

Corbus Wiring

The RED and BLK Corbus terminals are used to provide power while YEL and GRN are used for data communications. The 4 Corbus terminals of the alarm controller must be connected to the 4 Corbus terminals or wires of each module.

The following conditions apply:

- Corbus should be run with minimum 22 gauge quad, two pair twisted preferred.
- The modules can be home run to the panel, connected in series or can be T-tapped.
- Do not use shielded wire for Corbus wiring.

Note: Any module can be connected anywhere along the Corbus. Separate wire runs for keypads, zone expanders etc. are not necessary.

Note: No module can be more than 1,000'/305m (in wire length) from the panel. Do not use shielded wire for Corbus wiring.

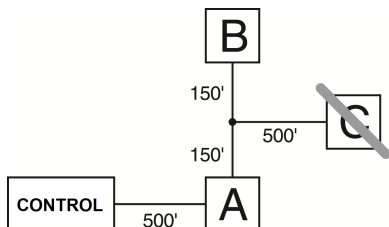


Figure 1-1 Corbus Wiring

Module (A) is wired correctly as it is within 1,000'/305m of the panel, in wire distance. Module (B) is wired correctly as it is within 1,000'/305m of the panel, in wire distance. Module (C) is NOT wired correctly as it is farther than 1,000'/305m from the panel.

Current Ratings

In order for the system to operate properly, the power output of the alarm controller and power supply modules cannot be exceeded. Use the following data to ensure that the available current is not exceeded.

Table 1-1 System Output Ratings

Device	Output	Rating (12V _{DC})
HS2016 HS2032 HS2064	AUX:	700mA. Subtract the listed rating for each keypad, expansion module and accessory connected to AUX or Corbus. At least 100mA must be reserved for the Corbus.
HS2064 E HS2128 HS2128 E	BELL:	700mA. Continuous rating. 2.0A. short term. Available only with standby battery connected. Not for UL/ULC or EN certified applications.
HSM2208	AUX:	250mA. Continuous rating. Subtract for each device connected. Subtract the total load on this terminal from the alarm panel AUX/Corbus output.
HSM2108	AUX:	100mA. Subtract for each device connected. Subtract the total load on this terminal from the panel AUX/Corbus output.

Alarm Control Panel

AUX - 700mA available for devices connected to the AUX and PGM terminals, and modules connected to Corbus terminals. At least 100mA must be reserved for the Corbus.

Alarm Controller Current Calculation

Panel Calculation

Maximum (Standby or Alarm)

AUX (700mA max. including PGMs 1-4)

Corbus (700mA max.)***

PCLink+ (Alt. Com.:125mA)

Total (must not exceed 700mA)

***See Corbus Current Calculation Chart.

For UL, ULC and Commercial Listed applications, the total standby and alarm current cannot exceed 700mA.

Table 1-2 Corbus Current Calculation Chart

Item	Current (mA)	x	Quantity	Total (mA)
HS2016/HS2032/HS2064/HS2064 E/HS2128/HS2128 E	85	x	1	85
HS2LCD	105	x		
HS2ICN	105	x		
HS2LED	105	x		
HS2LCDP	105	x		
HS2ICNP	105	x		
HS2LCDF	105	x		
HS2ICNRF	105	x		
HS2ICNRF	105	x		
HS2TCHP	160	x		
Current required for connected devices =				
HSM2108*	30	x		
AUX output current of HSM2108				
HSM2208*	40	x		
AUX output current of HSM2208				
HSM2300/2204*	35	x		
HSM2HOSTx	35	x		
HSM2955**		x		
3G2080(R)/TL2803G(R)/TL280(R)	125 (PCLINK)	x		
Total Corbus Current =				

*These units draw current from the Corbus to power devices external to the module. This current must be added to the total Corbus current. See manufacturer's specifications for the current draw of each device.

** For HSM2955 current draw refer to HSM2955 installation manual.

Capacitance Limits

An increase in capacitance on the Corbus affects data transmission and causes the system to slow down. Capacitance increases for every foot of wire added to the Corbus. The capacitance rating of the wire used will determine the maximum length of the Corbus.

Table 1-3 Wire Capacitance

Wire Capacitance per 1000'	Total Corbus Wire Length (300m)
15nF	5300'/1616m
20nF	4000'/1220m
25nF	3200'/976m
30nF	2666'/810m
35nF	2280'/693m
40nF	2000'/608m

AC (International Installations)

Primary: 220V-240Vac, 50/60Hz, 200mA

Secondary: 16.5VAC/40VA

Warning: Do not connect the battery or transformer until all other wiring is complete.

Batteries

Connect the RED battery lead to the positive battery terminal and the BLACK battery lead to the negative battery terminal.

Note: Refer to "Aux Loading and Battery Selection" on page 21.

Additional Wiring

Zone Wiring

Power down the alarm controller and complete all zone wiring.

Zones can be wired to supervise normally open devices (e.g., smoke detectors) or normally closed devices (e.g., door contacts). The alarm panel can also be programmed for single end-of-line or double end-of-line resistors.

Zone programming is done using the following programming sections:

- [001] selects zone definition
- [013] Opt [1] for normally closed or EOL; Opt [2] for SEOL or DEOL
- [201 - 208] partition assignment.

Observe the following guidelines when wiring zones:

- For UL listed installations use SEOL or DEOL only
- Minimum 22 AWG wire, maximum 18 AWG
- Do not use shielded wire
- Do not exceed 100Ω wire resistance. Refer to the following table:

Table 1-4 Burglary Zone Wiring Chart

Wire Gauge	Maximum Length to EOL Resistor (ft/-meters)
22	3000 / 914
20	4900 / 1493
19	6200 / 1889
18	7800 / 2377

Figures are based on maximum wiring resistance of 100Ω.

Aux Power Wiring

These terminals provide 11.3-12.5VDC/700mA of current (shared with PGM outputs). Connect the positive side of any device to the AUX+ terminal, the negative side to GND. The AUX output is protected; if too much current is drawn from these terminals (wiring short) the output is temporarily shut off until the problem is corrected.

Note: If using a 12V, 14Ah battery, maximum AUX capacity for 24-hour standby is 470mA.

PGM Wiring

Min/max operating voltages for devices, sensors and modules is 9.5VDC - 14VDC.

PGMs switch to ground when activated from the alarm controller. Connect the positive side of the device to the AUX+ terminal and the negative side to a PGM terminal.

PGM 1, 3, 4 supply up to 50mA; PGM 2 supplies up to 300mA.

A relay is required for current levels greater than 50mA or 300mA. PGM2 can also be used for 2-wire smoke detectors, 24-hr burglary input alarm.

Note: Use SEOL resistors on Fire zones only.

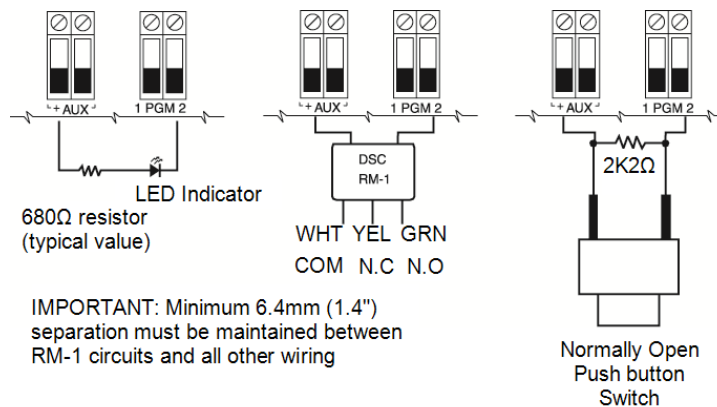


Figure 1-2 LED Output with Current Limiting Resistor and Optional Relay Driver Output.

Single End-of-Line (SEOL) Resistor

When SEOL resistors are installed at the end of a zone loop, the alarm panel detects if the circuit is secure, open, or shorted. The SEOL resistor must be installed at the end of the loop for proper supervision.

To enable SEOL supervision, program section [013], options [1] and [2] to OFF.

Note: This option should be selected if either normally closed or normally open detection devices or contacts are used.

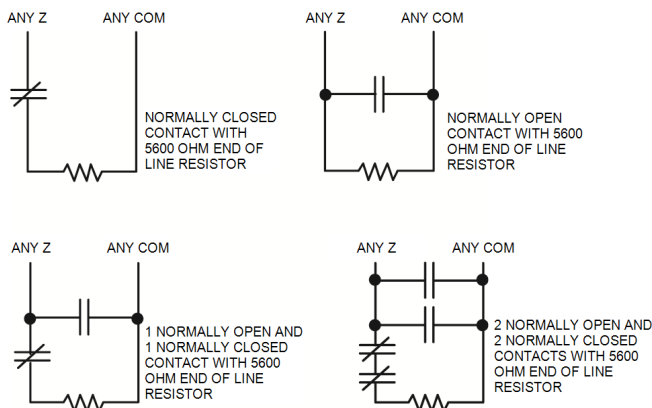


Figure 1-3 SEOL Wiring

Double End of Line (DEOL) Resistors

When double end-of-line (DEOL) resistors are installed at the end of a zone loop, the second resistor enables the panel to determine if the zone is in open, closed, tampered or faulted.

Note: Any zone programmed for Fire or 24-hr Supervisory must be wired with a SEOL resistor regardless of the type of zone wiring supervision selected for the panel. If you change the zone supervision options from DEOL to SEOL or from NC to DEOL, power the system down completely, then power it back up for correct operation.

To enable DEOL supervision, program section [013], option [1] to OFF and option [2] to ON.

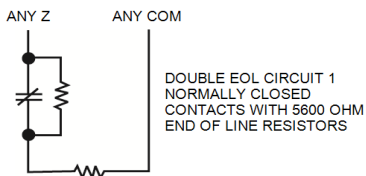


Figure 1-4 DEOL Wiring

Bell Wiring

These terminals supply 700mA of current at 10.4 - 12.5VDC for commercial/ residential installations. To comply with NFPA 72 Temporal Three Pattern requirements, section [013] Opt [8] must be ON. Note that steady, pulsed alarms are also supported.



Figure 1-5 Bell Wiring

The Bell output is supervised and power limited by 2A thermistor. If unused, connect a 1000Ω resistor across Bell+ and Bell- to prevent the panel from displaying a trouble.

Telephone Line Wiring

Wire the telephone connection terminals (TIP, Ring, T-1, R-1) to an RJ-31x connector as indicated in the following diagram. For connection of multiple devices to the telephone line, wire in the sequence indicated. Use 26 AWG wire minimum for wiring.

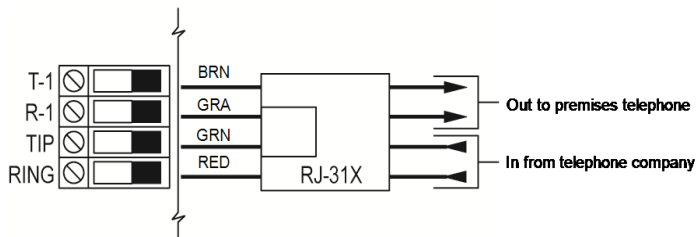


Figure 1-6 Telephone Line Wiring

Telephone format is programmed in option [350]. Telephone call directions are programmed in options [311]- [318].

Ground Wiring

Tighten nut to break paint and make a good connection to the cabinet

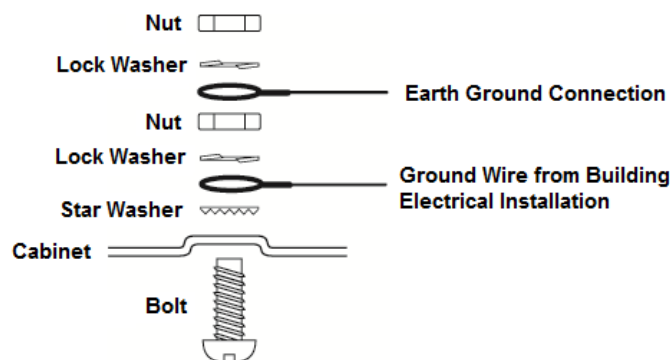


Figure 1-7 Ground Installation

Note: Using an insulated green wire (minimum 22AWG), connect the EGND terminal on the Corbus and the grounding wire from the building electrical installation to any of the available holes on the back or side of the metal cabinet. See the diagram attached to the cabinet for suggested GND point location and hardware recommendations.

Note: Wire and installation hardware not included.

Enrollment

All optional modules and devices must be enrolled on the system. During enrollment, the electronic serial number (ESN) of each device is identified to the control panel and zones are assigned. A wireless transceiver HSM2HOST or an RF keypad must be enrolled first before wireless devices can be enrolled.

Enrolling Modules

During automatic and manual enrollment, if an attempt is made to enroll more than the maximum number of modules, an error tone sounds and a message is displayed on LCD keypads.

Table 1-5 Module Capacity

Module	HS2016	HS2032	HS2064/ HS2064 E	HS2128/HS2128 E
HSM2108 8 Zone expander	1	3	7	15
HSM2208 8 Output expander	2	4	8	16
Wireless Keypad: HS2LCDRF(P)4 HS2ICNRF(P)4 HS2LCDWF(P)(V)4	8	8	8	16
HS2TCHP Touchscreen Keypad	8	8	8	16
HSM2300 Power Supply 1A	3	3	3	4
HSM2204 4 High-current Output	1	1	3	4
HSM2HOSTx Transceiver	1	1	1	1
HSM2955	1	1	1	1

Modules can be enrolled automatically or manually using section [902] of Installer programming.

To confirm that a module has been successfully enrolled, use Installer Programming section [903].

Enroll Wireless Devices

Wireless devices are enrolled via the wireless transceiver module and Installer Programming section [804][000].

Auto Enrollment

To enroll a wireless device using this method, press and hold the Enroll button on the device for 2-5 seconds until the LED lights then release the button. The alarm panel automatically recognizes the device and the keypad displays a confirmation message. The device ID and next available zone number are displayed. Press [*] to accept or scroll to another available zone number. Batteries must be installed in the wireless device in order to enroll.

Pre-Enrollment

Pre-enrollment is a two step process. The first step requires entering each device ID ([804][001]-[716]). Every wireless device has an ID printed on the sticker attached to the device. The format is XXX-YYYY where:

- XXX identifies the type or model of the device
- YYYY is a short encrypted ID used by the system to identify the specific device

Pre-enrollment can be done at a remote location and using DLS/SA. The second step is to press the enrollment button on the device, usually done on location. Installer Programming does not have to be entered at this step. Both steps must be performed in order to complete the enrollment.

Programming Methods

The alarm system can be programmed using the following methods:

Table 1-6 Programming Methods

Method	Description	Procedure
Template programming	Use pre-defined templates to quickly apply basic programming and to set up DLS downloading.	Press [899] at the "Enter Section" screen. See Template Programming below for details.
DLS programming	Download and apply programming using DLS 5 v1.3 for Neo v1.0 panels and DLS 5 v1.4+ for Neo v1.0 and up products.	For local DLS, use a PC-Link cable and laptop with DLS-5 software installed. For remote DLS, use a telephone line, cellular network or the Internet.
Installer programming	Manually program all alarm system and device options.	Press [*][8][installer code] while the system is disarmed.

Viewing Programming

Programming sections can be viewed from any system keypad. The method for viewing and selecting programming options using LCD, LED and ICON keypads depends on the keypad type used. See below for specific instructions on programming with each keypad type.

Generally, programming options are accessed in the following way:

1. Enter Installer Programming mode ([*][8]).
2. Navigate to a specific programming section.
3. Select an option to view or change its programming.

All programming options are numbered and can be accessed by navigating through the menu (LCD) or by keying in the program section number. For toggle options, the name of the option is displayed (LCD) or LEDs 1-8 are illuminated (LED and ICON).

Use the keypad numbers to toggle options on or off. Sections requiring data input, such as phone numbers, display the full data in fields up to 32 characters long (LCD). To input data, use the scroll keys to select a character then press the keypad button corresponding to the number/letter required. Scroll to the next character and repeat the procedure as needed. Press the [#] key to save changes and exit the program section.

Minimum Required Programming

Once basic installation of the alarm panel is complete, the following general configuration options can be set.

[000] Language Selection

(LCD keypads only)

Use this section to set the language displayed by LCD keypads. To select a language:

1. Enter Installer Programming: [*][8][Installer Code].
2. Enter programming section [000]>[000].
3. Key in the 2-digit number corresponding to the language required. See below:

01 = English	11 = Swedish	22 = Bulgarian
02 = Spanish	12 = Norwegian	23 = Latvian
03 = Portuguese	13 = Danish	24 = Lithuanian
04 = French	14 = Hebrew	25 = Ukrainian
05 = Italian	15 = Greek	26 = Slovakian
06 = Dutch	16 = Turkish	27 = Serbian
07 = Polish	18 = Croatian	28 = Estonian
08 = Czech	19 = Hungarian	29 = Slovenian
09 = Finnish	20 = Romanian	
10 = German	21 = Russian	

Time and Date

Use this section to program the alarm system clock.

Menu: [*][6][Master Code] > Time and Date

Keypad: [*][6][Master Code] + 01

Enter time and date using the following format: (HH:MM); (MM-DD-YY). Valid time entries are 00-23 hours, 00-59 minutes. Valid date entries are 01-12 months, 01-31 days.

Setting Up a Partition

Partitions are added or removed from the system by applying or removing a partition mask via Installer Programming section [200]. The number of available partitions depends on the alarm panel model.

Bell/Siren Operation

Each partition must have a siren. The system siren connected to the bell output of the alarm controller can be mounted in a central location within hearing range of all partitions. Each partition can also have wireless sirens activated only on the assigned partition.

Keypad Partition Setup

Keypads can be configured to control an individual partition or all partitions. In general, a partition keypad controls the partition it is assigned to. A Global keypad controls all partitions. Global keypads should be placed in common areas of the premises, such as points of entry or reception areas, where the ability to arm and disarm more than one partition at a time is required.

Partition keypads can also be temporarily loaned to other partitions.

To select a keypad operating mode:

1. Enter Installer Programming: [*][8][installer code].
2. Select [861]-[876] to program keypads 1-16.
 - Press [000] for partition assignment.
 - For Global operation, key in 00.
 - To assign a keypad to a partition, key in 01-08 for partition 1-8.

3. Press the [#] and repeat step 2 for next keypad. When finished programming all keypads, press the [#] key twice to exit programming.

Users are assigned partition access rights via the [*][5] menu.

Assign sirens to partitions:

[804]>[000]>[551]-[556]>[000]

Set up partition account codes:

[310]>[001]-[008]

Set up partition timers:

- Entry/exit delay, settle delay – [005]>[001]-[008]
- Automatic arming/disarming schedule – [151]-[158]>[001]/[002]
- Auto disarming holiday schedule – [151]-[158]>[003]
- No activity arming – [151]-[158]>[006]
- Automatic clock adjust – [005]>[000], option 6
- Delay between dialing attempts – [377]>[012]

Assign Zone Types

A zone type defines how a zone operates within the system and how it responds when triggered.

- | | |
|----------------------------------|-----------------------------------|
| 000 - Null Zone | 040 - 24-Hour Gas |
| 001 - Delay 1 | 041 - 24-Hour CO |
| 002 - Delay 2 | 042 - 24-Hour Holdup* |
| 003 - Instant | 043 - 24-Hour Panic |
| 004 - Interior | 045 - 24-Hour Heat |
| 005 - Interior Stay/Away | 046 - 24-Hour Medical* |
| 006 - Delay Stay/Away | 047 - 24-Hour Emergency |
| 007 - Delayed 24-Hour Fire | 048 - 24-Hour Sprinkler* |
| 008 - Standard 24-Hour Fire | 049 - 24-Hour Flood |
| 009 - Instant Stay/Away | 051 - 24-Hour Latching Tamper |
| 010 - Interior Delay | 052 - 24-Hour Non-Alarm |
| 011 - Day Zone | 056 - 24-Hour High Temperature |
| 012 - Night Zone | 057 - 24 Hour Low Temperature |
| 016 - Final Door Set | 060 - 24-Hour Non-Latching Tamper |
| 017 - 24-Hour Burglary | 066 - Momentary Keyswitch Arm |
| 018 - 24-Hour Bell/Buzzer | 067 - Maintained Keyswitch Arm |
| 023 - 24-Hour Supervisory | 068 - Momentary Keyswitch Disarm |
| 024 - 24-Hour Supervisory Buzzer | 069 - Maintained Keyswitch Disarm |
| 025 - Auto Verified Fire | 071 - Door Bell |
| 027 - Fire Supervisory | 072 - Push to Set |
- * Not UL evaluated

Assign zone attributes:

[002]>[001]-[128]>Select one of the following zone attributes:

- 1 – Bell Audible
- 2 – Bell Steady
- 3 – Chime Function
- 4 – Bypass Enabled

- 5 – Force Arm
- 6 – Swinger Shutdown
- 7 – Transmission Delay
- 8 – Burglary Verification
- 9 – Normally Closed EOL
- 10 – Single EOL
- 11 – Double EOL
- 12 – Fast/Normal Loop Response
- 13 – Zone 2-way Audio Activation
- 14 – Hold Up Verification

Create labels:

[000]>[001]-[821] 2 x 14 ASCII characters.

Add access codes:

To program an access code: [006] then one of the following:

- [001] – Installer code
- [002] – Master code
- [003] – Maintenance code

Access codes are either 4, 6 or 8 digits in length, depending on the setting of programming section [041]. Duplicate codes are not valid.

Alternate Communicator Setup

The alternate communicator is an optional wireless or ethernet communications device that can be used as a backup to the PSTN connection or as a primary means of communication between the alarm panel and the central monitoring station. The alternate communicator communicates via 3G (HSPA) or Ethernet.

The following configuration steps are required to set up the alternate communicator:

- Install the alternate communicator and wire it to the alarm panel (use PCLINK_2 header)
- Enroll the alternate cellular communicator with Connect 24
- Set the communication path: [300]
- Enable the alternate communicator: [382] option 5
- Enable event reporting: [307]/[308]
- Program communication delay timer: [377]
- Program DLS access: [401] option 07

Refer to the 3G2080(R)/ TL2803G(R)/ TL280(R) installation manual for details.

[300] Panel/Receiver Communication Paths

This section is used to select the path of communications between the alarm system and the central station.

To use PSTN as the communications path, program section [300] options 001 through 004 as [01] PSTN 1.

To use the alternate communicator to establish a communications path, program two of the receivers (section [300] options 001, 002, 003 or 004)

as [03] and [04] for Ethernet, and two of the receivers as [05] and [06] for cellular.

Testing the System**Installer Walk Test**

Walk test enables the installer to test the operation of each detector by tripping zones, causing an actual alarm. Enter section [901] to initiate a walk test. When a zone is tripped, all system sirens emit a tone to indicate that the zone is working correctly.

After 15 minutes without zone activity, the walk test terminates automatically. To manually exit walk test mode, enter [901] again.

Viewing the Event Buffer

The event buffer contains logs of events that have occurred on the alarm system beginning with the most recent. The capacity of the event buffer is scalable and can hold 500/1000 events (depending on panel model) before rolling over. The buffer displays events according to their time stamp, beginning with the most recent. The event buffer can be uploaded using DLS.

Each event displays the time and date, a description of the event, the zone label, access code number or any other pertinent information. To view the event buffer, press [*][6][Master Code][*].

Troubleshooting**LED Indicators**

Keypads have the following status lights that provide a visual indication of the status of the system.

Panel Status LED Operation

The red status LED, located on the alarm controller PCB, indicates the following:

- Power up sequence - flashes rapidly until the end of the power-up sequence.
- Firmware indication - flashes during the firmware upgrade process. If the firmware upgrade fails, the LED flashes rapidly.
- Trouble indication - flashes when troubles are present. Troubles are indicated according to the following priority:
 - 1 flash - no keypads enrolled
 - 2 flashes - module supervision trouble
 - 3 flashes - bus low voltage
 - 4 flashes - low battery trouble
 - 5 flashes - AC Trouble
 - 6 flashes - AUX trouble
 - 7 flashes - Bell trouble
 - 8 flashes - TLM trouble

LCD programmable-message keypad:

- Press [*][2] followed by access code if required to view a trouble condition
- The trouble light flashes and the LCD displays the first trouble condition

- Use the arrow keys to scroll through all trouble conditions present on the system

Note: When additional information is available for a specific trouble condition, a [*] is displayed. Press the [*] key to view the additional information.

LED and ICON keypads:

- Press [*][2] to view a trouble condition
- The trouble light flashes
- Refer to the trouble summary list below to determine the trouble condition(s) present on the system

[*][2] Trouble Display

This feature is used to view system troubles. If a trouble is present, the keypad Trouble indicator illuminates and an audible indication is emitted (two short beeps every 10 seconds, except while in AC failure). Silence the audible indicator by pressing [#].

Troubles may be viewed while the system is armed or disarmed. The system may be programmed to show all troubles while armed or only fire troubles.

The system can be configured to require a user code to view [*][2] system troubles. See section [023] option 5.

To view trouble conditions:

- Press [*][2] to enter the Trouble menu.
- On an LCD keypad, scroll to a trouble type then press [*] to view the specific trouble. The zone name and trouble condition for each trouble are displayed on the screen.
- On LED/ICON keypads, zone indicator lights illuminate to identify existing trouble types (e.g., Zone light 1 represents Service Required trouble type). Press the number key corresponding to a zone light to view the specific trouble. Lights 1-12 illuminate to indicate the trouble as follows:

Table 1-7 : Trouble Indications

<p>Trouble 01 – Service Required:</p> <p>[01] Bell Circuit Trouble: The bell circuit is open.</p> <p>[02] RF Jam: The HSM2HOSTx has detected an RF Jam condition.</p> <p>[03] Aux Supply Trouble: The alarm controller, HSM2204 or HSM2300 has an overcurrent condition on Aux.</p> <p>[04] Loss of Clock: System time and date require programming.</p> <p>[05] Output 1 Fault: An HSM2204 module has detected an open condition on output #1.</p>
<p>Trouble 02 – Battery Trouble:</p> <p>[01] Panel Low Battery Trouble: The battery voltage (under load) is below 11.5V. Restores at 12.5V.</p> <p>[02] Panel No Battery: No battery connected to alarm controller.</p> <p>[04] HSM2204 01 - 04 Low Battery: An HSM2204 has a battery voltage less than 11.5V.</p> <p>[05] HSM2204 01 - 04 No Battery: No battery connected to HSM2204.</p> <p>[07] HSM2300 01 - 04 Low Battery: An HSM2300 has a battery voltage less than 11.5V</p> <p>[08] HSM2300 01 - 04 No Battery: No battery connected to HSM2300.</p>

<p>Trouble 03 – Bus Voltage:</p> <p>[01] HSM2HOSTx Bus Low Voltage: The HSM2HOSTx module has measured less than 6.3V on its Aux input.</p> <p>[02] Keypad 01 - 16 Bus Low Voltage: A hardwired keypad has a bus voltage of less than 6.9V for ICON/LCD (RF version) and 7.7V for non-RF models.</p> <p>[04] HSM2108 01 - 15 Bus Low Voltage: A zone expander has a bus voltage of less than 5.9V.</p> <p>[05] HSM2300 01 - 04 Bus Low Voltage: A power supply has a bus voltage of less than 6.9V.</p> <p>[06] HSM2204 01 - 04 Bus Low Voltage: A high current output module has a bus voltage of less than 6.9V.</p> <p>[08] HSM2208 01 - 16 Bus Low Voltage: The low current output module has detected a voltage less than 5.9V on its aux input.</p> <p>[09] HSM2955 Bus Low Voltage: The audio module has detected a voltage less than 9.65V on its aux input.</p>
--

<p>Trouble 04 – AC Troubles:</p> <p>[01] Zone 001 - 128 AC Trouble: An AC trouble has been detected on a PGX934 PIR + Camera.</p> <p>[03] Siren 01 - 16 AC: A siren has an AC trouble.</p> <p>[04] Repeater 01 - 08 AC: A wireless repeater has an AC trouble.</p> <p>[05] HSM2300 01 - 04 AC: An HSM2300 has an AC trouble.</p> <p>[06] HSM2204 01 - 04 AC: An HSM2204 has an AC trouble.</p> <p>[07] Panel AC: The alarm controller has an AC failure condition.</p>

<p>Trouble 05 – Device Faults:</p> <p>[01] Zone 001 - 128: A zone is in fault. Additional information displayed on LCD keypads for the following troubles: Fire Trouble (2-W Smoke, PGX916, PGX926), Freeze (PGX905), Self Test (PGX984), CO (PGX913), and Probe Disconnected (PGX905). Also generated by a short on hardwired zones when DEOL is used or by a wireless supervisory fault.</p> <p>[02] Keypad 01 - 16: A wireless or hardwired keypad is in fault.</p> <p>[03] Siren 01 - 16: A siren is in fault.</p> <p>[04] Repeater 01 - 08: A wireless repeater is in fault (supervisory or loss of AC/DC).</p>

<p>Trouble 06 – Device Low Battery:</p> <p>[01] Zone 001- 128: Wireless zone has a low battery.</p> <p>[02] Keypad 01-16: Keypad has a low battery.</p> <p>[03] Siren 01 - 16: Siren has a low battery.</p> <p>[04] Repeater 01 - 08: Repeater has a low battery.</p> <p>[05] User 01 - 1000: Wireless Key has a low battery.</p>
--

<p>Trouble 07 – Device Tamper:</p> <p>[01] Zone 001 - 128 Tamper: A wireless or hardwired zone configured for DEOL operation is in tamper.</p> <p>[02] Keypad 01 - 16 Tamper: A hardwired or wireless keypad is in tamper.</p> <p>[03] Siren 01 - 16 Tamper: A wireless siren is in tamper.</p> <p>[04] Repeater 01 - 08 Tamper: A wireless repeater is in tamper.</p> <p>[05] Audio Station 01 - 04 Tamper: An audio station connected to an HSM2955 is in tamper.</p>
--

<p>Trouble 08 – RF Delinquency Trouble:</p> <p>[01] Zone 001 - 128 RF Delinquency: No response from a wireless zone for 13 minutes. This trouble prevents arming until acknowledged or cleared using [*][2].</p> <p>[02] Keypad 01 - 16 RF Delinquency: No response from a wireless keypad for 13 minutes.</p> <p>[03] Siren 01 - 16 RF Delinquency: No response from a wireless siren for 13 minutes.</p> <p>[04] Repeater 01 - 16 RF Delinquency: No response from a wireless repeater for 13 minutes.</p>

Trouble 09 – Module Supervisory Trouble:

- [01] HSM2HOSTx not responding.
- [02] Keypad 01 - 16 not responding.
- [04] HSM2108 01 - 15 not responding.
- [05] HSM2300 01 - 04 not responding.
- [06] HSM2204 01 - 04 not responding.
- [08] HSM2208 01 - 16 not responding.
- [09] HSM2955 is not responding.

Trouble 10 – Module Tamper:

- [01] HSM2HOSTx Tamper.
- [02] Keypad 01 - 16 Tamper.
- [04] HSM2108 01 - 15 Tamper.
- [05] HSM2300 01 - 04 Tamper.
- [06] HSM2204 01 - 04 Tamper.
- [08] HSM2208 01 - 16 Tamper.
- [09] HSM2955 Tamper

Trouble 11 – Communications:

- [01] TLM: Telephone line disconnected from control panel.
- [02] Receiver 01-04 FTC Trouble: Failure to communicate using programmed receiver paths.
- [03] Alt. Comm SIM Lock: SIM card has incorrect or unrecognized PIN.
- [04] Alt. Comm Cellular: Radio or SIM card failure, low signal strength detected, or cellular network fault.
- [05] Alt. Comm Ethernet: Ethernet connection unavailable. A valid IP address is either not programmed or the module was unable to get an IP with DHCP.
- [06] Receiver 01-04 Absent: Alternate communicator unable to initialize a receiver.
- [07] Receiver 01-04 Supervision: Alternate communicator unable to communicate with a receiver.
- [09] Alt. Comm Fault: The alternate communicator has stopped responding.
- [10] Alt Comm FTC Trouble: The alternate communicator has failed to communicate an internal event not generated by the panel.

Trouble 12 – Not Networked Troubles:

- [01] Zone 001-128 Not Networked Trouble: Generated when a zone becomes out of sync with the wireless network or has not been synchronized with the network after enrollment.
- [02] Keypad 01-16 Not Networked Trouble: Generated when a keypad becomes out of sync with the wireless network or has not been synchronized with the network after enrollment.
- [03] Siren 01-16 Not Networked Trouble: Generated when a siren becomes out of sync with the wireless network or has not been synchronized with the network after enrollment.
- [04] Repeater 01-08 Not Networked Trouble: Generated when a repeater becomes out of sync with the wireless network or has not been synchronized with the network after enrollment.
- [05] User 01 - 1000 Not Networked Trouble: Generated when a wireless key becomes out of sync with the wireless network or has not been synchronized with the network after enrollment.

IMPORTANT!

Ensure you have the following information available before contacting Customer Support :

- Alarm controller type and version, (e.g., HSM2064 1.0):

Note: Version number can be accessed by entering [*][Installer Code] [900] on any LCD keypad. This information is also located on a sticker on the printed circuit board.

- List of modules connected to control panel, (e.g., HSM2108, HSM2HOSTx etc.) .

Specifications**Zone Configuration**

- 16, 32, 64, or 128 wireless zones supported and up to 8 hard-wired zones available on the controller
- 40 zone types and 14 programmable zone attributes
- Zone configurations available: normally closed, single EOL and DEOL supervised
- Hardwired zone expansion (fully supervised) available using the model HSM2108 (eight zone expander module)
- Wireless zone expansion (fully supervised) available using the HSM2Host 2-way wireless integration module (operating at 915MHz (North America), 433MHz (Europe) and 868MHz (international))

Access Codes

- Up to 1002 access codes: 1000 (level 2-EN), one installer code (level 3-EN), and one maintenance code
- Programmable attributes for each user code
- When using 8-digit access codes, the minimum number of variations are:

HS2016

HS2032: 1388888

HS2064/HS2128: 1052631

HS2064 E: 200000

HS2128 E: 100000

Warning Device Output

- Integral sounder capable of 85 dB @ 3m, self-powered type Z
- 2 remote, wireless indoor/outdoor warning devices supported: models PGX901 (indoor), PGX911 (outdoor) (X=4, 8, or 9)
- Programmable as steady, pulsed or temporal three (as per ISO8201) and temporal four (CO alarm) output
- Warning device sounds alarms in the following priority: fire, CO, burg

Memory

- CMOS EEPROM memory
- Retains programming and system status on AC or battery failure for 20 years min.

Power Supply - International

- Input ratings: 220V-240Vac, 50/60Hz, 200mA
- Transformer required, mounted in the same enclosure, permanently connected
- Transformer secondary ratings: 16.5Vac, 40VA min.

Note: For installations using the transformer mounted inside the cabinet, replace fuse only with the same type (20mm) rated 250V/315mA.

Regulated power supply:

- 1.7A regulated, supervised and integral to the control unit
- Type A as per EN50131-6 Standard
- 700mA auxiliary supply, 12V DC
- Positive temperature coefficient (PTC) for Bell, Aux+ and Battery terminals
- Reverse battery detection/protection

- Supervision for AC power and low battery
- Normal and high current battery charge options
- Supervised battery charging circuit

Current draw (panel):

- 85mA (nominal) 2A(Max)

Bell Output:

- 12V, 700mA supervised (1k Ohm) bell output (current limited at 2 amps)
- Steady, Pulsed, Temporal 3 fire, Temporal 4 CO alarm cadences
- Bell short detection (software + hardware)

Aux+:

- Voltage range = 9.6V - 13.8V DC
- Current = 700mA (shared with Corbus R(ed))
- Output ripple voltage: 270mVp-p max.
- Onboard programmable outputs:
 - PGM 1 - 50mA switched programmable output
 - PGM 2 - 300mA current-limited switched programmable output. 2-Wire smoke detectors (90mA current limited) are supported using this PGM
 - PGM 3 - 50mA switched programmable output
 - PGM 4 - 50mA switched programmable output
 - Hardware PGM over current protection

Battery

- 12V sealed lead acid, rechargeable
- Battery capacity:
 - 12 hours (EN50131),
 - 24 hours INCERT [Belgium]

Note: For T 014 compliance (INCERT certification), only 14Ah (2x7Ah) batteries were tested and are accepted for INCERT certified systems.

- Maximum standby time: 24 hours (with 14Ah battery and Aux current limited to 470mA)
- Recharging time to 80% 72 hours
- Recharging rate: 240mA (12 hours max.), 480mA (24 hour backup)
- Backup time: 24 hours
- Battery lifespan: 3-5 years
- Low battery trouble indication threshold 11.5VDC
- Battery restore voltage 12.5V
- Main board current draw (battery only):
 - HS2016/32/64/128 (no alternate communicator) standby 85mA DC
 - HS2016/32/64/128, (including alternate communicator) standby 190mA DC
 - Transmit (alternate communicator module) 195mA DC
- Resettable fuses (PTC) used on circuit board
- Supervision for loss of primary power source (AC fail), battery loss or battery low voltage (battery trouble) with indication

provided on the keypad

- Internal clock locked to AC power frequency

Operating Environmental Conditions

- Temperature range: EN= -10°C to 55°C (50°F-131°F)
- Relative humidity: <93% non condensing

Alarm Transmitter Equipment (ATE) Specification

- Digital dialer integral to the main control board
- Supports SIA and Contact ID
- Complies with TS203 021-1, -2, -3 Telecom equipment requirements and EN50136-1-1, EN50136-2-1, EN50136-2-3 ATS 2
- Optional Dual IP/Cellular communicators (3G2080(R)/ TL2803G (R)/ TL280(R)) can be installed in the same enclosure and configured as primary or back-up, with AES 128-bit encryption
- Compliant with EN50136-1-1, EN50136-2-1 ATS2 requirements

System Supervision Features

The PowerSeries Neo continuously monitors a number of possible trouble conditions and provides audible and visual indication at the keypad.

Trouble conditions include:

- AC power failure
- Zone trouble
- Fire trouble
- Telephone line trouble
- Communicator trouble
- Low battery condition
- RF jam
- AUX power supply fault
- Failure to communicate
- Module fault (supervisory or tamper)

Additional Features

- 2-way wireless device support
- Visual verification (images + audio)
- Proximity tag support
- PGM scheduling
- Quick arming
- User, partition, module, zone and system labels
- Soak test
- Programmable system loop response
- Keypad and panel software versions viewable through keypad
- Doorbell zone type
- Low battery PGM type

Programming Directory

This section provides a list of all available programming options in numerical order. To program, access Installer Programming mode by keying in [*][8][Installer Code]. Use the scroll keys < > to navigate through the menus or jump directly to a specific section by keying in a section number and pressing [*]. Programming consists of toggling on and off options in each section or by populating data fields. Press [*] to select options and [#] to exit to the previous menu. For descriptions of all programming options and programming worksheets, refer to the PowerSeries Neo Reference Manual. ✓ = Default

Label Programming

000 Label Programming

000 – Language Selection (01)

001 – Zone Labels
001-128 – Zone Labels 1-128
051 – Zone Tamper Label
052 – Zone Fault Label
064 – CO Alarm Message
065 – Fire Alarm Message
066 – Fail to Arm Event Message
067 – Alarm When Armed Event Message
100 – System Label
101-108 – Partition 1-8 Labels
201- 208 – Partition 1-8 Command Output Labels
001-004 – Command output 1-4 Labels
601-604 – Schedule 1- 4 Labels
801 – Keypad Labels
001-016 Keypad 1-16 Labels
802 – Zone Expander Labels
001-015 – Zone Expander 1-15 Labels
803 – Output Expander Labels
001 Output Expander 1 Label
806 – HSM2HOST Label
808 – HSM2955 Label
809 – Power Supply Label
001-004 Power Supply 1-4 Label
810 – High Current Output Supply Label
001-004 Power Supply 1-4 Label
815 – Alternate Communicator Label
820 – Siren Label
001-016 Siren 1-16 Label
821 – Repeater Label
001-008 Repeater 1-8 Label
999 – Default Labels

Zone Type

001 Zone Type

001-128 Zone Types (000)
000 – Null Zone
001 – Delay 1
002 – Delay 2
003 – Instant
004 – Interior
005 – Interior Stay/Away
006 – Delay Stay/Away
007 – Delayed 24-Hour Fire
008 – Standard 24-Hour Fire
009 – Instant Stay/Away
010 – Interior Delay
011 – Day Zone
012 – Night Zone
016 – Final Door Set
017 – 24-Hour Burglary

018 – 24-Hour Bell/Buzzer
023 – 24-Hour Supervisory
024 – 24-Hour Supervisory Buzzer
025 – Auto Verify Fire
027 – Fire Supervisory
040 – 24-Hour Gas
041 – 24-Hour CO
042 – 24-Hour Holdup
043 – 24-Hour Panic
045 – 24-Hour Heat
046 – 24-Hour Medical*
047 – 24-Hour Emergency
048 – 24-Hour Sprinkler
049 – 24-Hour Flood
051 – 24-Hour Latching Tamper
052 – 24-Hour Non-Alarm
056 – 24-Hour High Temperature
057 – 24 Hour Low Temperature
060 – 24-Hour Non-Latching Tamper
066 – Momentary Keyswitch Arm
067 – Maintained Keyswitch Arm
068 – Momentary Keyswitch Disarm
069 – Maintained Keyswitch Disarm
071 – Doorbell Zone
072 – Push to Set

002 – Zone Attributes

001-0128 (see PowerSeries Neo reference manual for defaults)

1 – Bell Audible
2 – Bell Steady
3 – Door Chime
4 – Bypass Enabled
5 – Force Arm
6 – Swinger Shutdown
7 – Transmission Delay
8 – Burglary Verification
9 – Normally Closed EOL
10 – Single EOL
11 – Double EOL
12 – Fast Loop/Normal Loop Response
13 – Zone 2-way Audio Activation
14 – Holdup Verification

System Times

005 System Times

000 – System Area

Bell Cutoff (004 min.)
Bell Delay Time (000 min.)
Burglary Verification Timer (060 sec.)
Holdup Verification Timer (008 sec.)
Zone Loop Response (250 ms)
Automatic Clock Adjust (060 sec.)
001 – 008 System Times - Partition 1-8
Entry Delay 1 (030 sec.)
Entry Delay 2 (045 sec.) (CP-01 030 sec.)
Exit Delay (120 sec.) (CP-01 060 sec.)
Settle Delay (010 sec.) (CP-01 000 sec.)
900 – Bell Delay Partition Mask (Y,Y,Y,Y,Y,Y,Y,Y)
901 – Daylight Savings Begin:
Month (003)(AUS 010)(NZ 009)(SA 004)(FRA 004)
Week (005)(AUS 005)(NZ 005)(SA 001)(CE 005)(C 005)(FRA 001)(UK 005)
Day (000)
Hour (001)(CE 001)(C 001)(UK001)
Increment (001)
902 – Daylight Savings End
Month (010)(AUS 003)(NZ 004)(SA 010)(C 010)(FRA 010)(UK 010)
Week (005)(AUS 005)(SA 005)(FRA 005)(UK 005)
Day (000)
Hour (002)(001)(NZ 003)(CE 001)(C 001)(UK 001)
Decrement (001)

Access Codes

006 Installer Defined Access Codes

(4-digit decimal)

001 – Installer Code (55555555)
002 – Master Code (12345678)
003 – Maintenance Code (AAAAAAAA)
004 – Guard Code (AAAAAAAA)

PGM Programming

007 – PGM Programming

000 – Main Bell Partition Assignment
1 – Partition 1
2 – Partition 2
3 – Partition 3
4 – Partition 4

5 – Partition 5
6 – Partition 6
7 – Partition 7
8 – Partition 8
001-164 – PGM 1-164 Partition Assignment (default: partition 1)
1-8 – Partition 1-8
008 – PGM Timer Programming
000 – PGM Timer-Minutes or Seconds (seconds)
001-164 – PGM 1-164 Timer (005)
009 – PGM Types
001-164 – PGM 1-164 Type Assignment (default: PGM1=121, PGM2=156, 3-164=101)
100 – Null PGM
101 – Burg and Fire Bell Follower
102 – Delayed Fire and Burg
103 – Sensor Reset [*][7][2]
104 – 2-Wire Smoke
109 – Courtesy Pulse
111 – Keypad Buzzer Follow
114 – Ready To Arm
115 – System Armed Status
116 – Away Armed Status
117 – Stay Armed Status
120 – Away Armed with no Zone Bypass Status
121 – Command Output 1
122 – Command Output 2
123 – Command Output 3
124 – Command Output 4
129 – Partition Status Alarm Memory
132 – Holdup Output
134 – 24Hr Silent Input
135 – 24Hr Audible Input
146 – TLM and Alarm
147 – KISSOFF
148 – Ground Start
149 – Alternate Communicator
155 – System Trouble
156 – Latched System Event
157 – System Tamper
161 – DC Trouble
165 – Prox Used
166 – Partition Prox Used
175 – Bell Status and Programming Access Output
176 – Remote Operation
184 – Open After Alarm
200 – Zone Follower
201 – Follower-Zones 1-8
202 – Follower-Zones 9-16
203 – Follower-Zones 17-24

✓ = Default

- 204 – Follower-Zones 25-32
 - 205 – Follower-Zones 33-40
 - 206 – Follower-Zones 41-48
 - 207 – Follower-Zones 49-56
 - 208 – Follower-Zones 57-64
 - 209 – Follower-Zones 65-72
 - 210 – Follower-Zones 73-80
 - 211 – Follower-Zones 81-88
 - 212 – Follower-Zones 89-96
 - 213 – Follower-Zones 97-104
 - 214 – Follower-Zones 105-112
 - 215 – Follower-Zones 113-120
 - 216 – Follower-Zones 120-128
- 010 PGM Attributes**
- 000 – Main Bell Mask
 - Fire Alarm ✓
 - CO Alarm ✓
 - Burglary Alarm ✓
 - 24-Hour Flood Alarm ✓
 - Bell Squawks ✓
- 001-164 PGM 1-164 Attributes
- 100 – Null PGM
 - 101 – Fire and Burglary
 - 01 – True Output ✓
 - 03 – Code Required ✓
 - 102 – Delay Fire and Burglary
 - 01 – True Output
 - 103 – Sensor Reset [*][7][2]
 - 03 – Code Required
 - 109 – Courtesy Pulse
 - 01 – True Output
 - 111 – Keypad Buzzer Follow
 - 01 – True Output ✓
 - 02 – Timed Output
 - 09 – Entry Delay ✓
 - 10 – Exit Delay ✓
 - 11 – Door Chime ✓
 - 12 – Keypad Buzzer Zone ✓
 - 13 – Audible Exit Fault ✓
 - 14 – Auto-Arm Pre-Alert ✓
 - 114 – Ready To Arm
 - 01 – True Output ✓
 - 115 – Armed Status
 - 01 – True Output ✓
 - 116 – Armed Away Mode
 - 01 – True Output ✓
 - 117 – Armed Stay Mode
 - 01 – True Output ✓
 - 121 - 124 – Command Output 1-4
 - 01 – True Output ✓
 - 02 – Timed Output ✓
 - 03 – Code Required ✓
 (NZ off)
 - 129 – Partition Status Alarm
- Memory
- 01 – True Output ✓
- 132 – Holdup Output
 - 01 – True Output ✓
 - 02 – Timed Output
 - 146 – TLM and Alarm
 - 01 – True Output ✓
 - 147 – Kissoff Output
 - 01 – True Output ✓
 - 148 – Ground Start
 - 01 – True Output ✓
 - 149 – Alternate Communicator
 - 01 – True Output ✓
- 02 – Timed Output ✓
 - 04 – Fire Alarm
 - 05 – Panic Alarm
 - 06 – Burglary Alarm
 - 07 – Open/Close
 - 08 – Zone Auto Bypass
 - 09 – Medical Alarm
 - 10 – Burglary Verified
 - 11 – Open after Alarm
 - 12 – Emergency Alarm
 - 13 – Duress Alarm
 - 14 – Holdup Verified
- 155 – System Trouble
- 01 – True Output ✓
 - 02 – Timed Output
 - 04 – Service Required ✓
 - 05 – Loss of Clock ✓
 - 06 – AC Fail ✓
 - 07 – DC Fail ✓
 - 08 – TLM ✓
 - 09 – FTC ✓
 - 10 – Ethernet ✓
 - 11 – Zone Fault ✓
 - 12 – Zone Tamper ✓
 - 13 – Zone Low Battery ✓
- 156 – Latched System Event
- 01 – True Output ✓
 - 02 – Timed Output
 - 04 – Fire Alarm ✓
 - 05 – Panic Alarm ✓
 - 06 – Burglary Alarm ✓
 - 07 – Medical Alarm ✓
 - 08 – Supervisory ✓
 - 09 – Priority Event ✓
 - 10 – Holdup ✓
 - 11 – Duress ✓
 - 12 – Emergency ✓
 - 13 – Fire Supervisory ✓
 - 14 – Fire Trouble ✓
 - 15 – CO Alarm ✓
- 157 – System Tamper
- 01 – True Output ✓
 - 02 – Timed Output
 - 09 – Module Tamper ✓
 - 10 – Zone Tamper ✓
- 161 – DC Trouble
- 01 – True Output ✓
 - 02 – Timed Output
 - 09 – Battery Low ✓
 - 10 – Battery Absent ✓
- 165 – Prox Used
- 01 – True Output ✓
- 166 – Partition Prox Used
- 01 – True Output ✓
- 175 – Bell Prog Access
- 01 – True Output ✓
- 176 – Remote Operation
- 01 – True Output ✓
- 184 – Open After Alarm
- 01 – True Output ✓
 - 02 – PGM Timer ✓
- 200 Zone Follower – Single Zone
- 01 – True Output ✓
 - 02 – Timed Output
 - 03 – Code Required
 - 04 – Latching
 - 05 – Follow Alarm
- 201- 216 Zone Follow Zones 1-128
- 01 – True Output ✓
 - 02 – Timed Output
 - 04 – Latching
 - 05 – Follow Alarm
 - 09-016 – Zone Terminal 1-16
- 011 PGM Configuration Options**
- 001-164 – PGM 1-164 Configuration
- Zone Follower by Zone
 - Proximity Tag Used
 - Command Output Schedules
- 012 System Lockout (attempts/min.)**
- Keypad Lockout Attempts (000)
 - Keypad Lockout Duration (000)
 - Remote Lockout Attempts (006)
 - Remote Lockout Duration (060)
- System Options**
- 013 System Options 1**
- 1 – NC Loop/EOL
 - 2 – DEOL/SEOL
 - 3 – Show All Troubles when Armed ✓
 - 4 – Tamper/Faults Do Not show as open
 - 5 – Auto-Arm Schedule in [*][6] ✓
 - 6 – Audible Exit Fault ✓
 - 7 – Event Buffer Follows Swinger ✓
 - 8 – Temporal Three Fire Signaling
- 014 System Options 2**
- 1 – Bell Squawk
 - 2 – Bell Squawk Auto-Arm
 - 3 – Bell Squawk on Exit
 - 4 – Bell Squawk on Entry
 - 5 – Bell Squawk on Trouble
 - 6 – Not Used
 - 7 – Exit Delay Termination
 - 8 – Fire Bell Continues
- 015 System Options 3**
- 1 – [F] Key ✓
 - 2 – [P] Key Annunciation
 - 3 – Quick Exit
 - 4 – Quick Arming/Function Key ✓
 - 5 – Not Used
 - 6 – Master Code Not User Changeable
 - 7 – Telephone Line Monitor Enable ✓
 - 8 – TLM Audible When Armed
- 016 System Options 4**
- 1 – AC Trouble Display ✓
 - 2 – AC Trouble Light Flashes
 - 3 – Keypad Blanking
 - 4 – Keypad Blanking Requires Code
 - 5 – Keypad Backlighting ✓
 - 6 – Power Save Mode
 - 7 – Bypass Display When Armed
 - 8 – Keypad Tamper Enabled
- 017 System Options 5**
- 1 – Chime On Opening
 - 2 – Chime On Closing
 - 3 – RF Jam Audible
 - 4 – Multi-Hit
 - 5 – Late to Close
 - 6 – Daylight Savings Time
 - 7 – Silence Chime During Quick Exit Delay
 - 8 – Bell Squawk on Away Arm/Disarm Only
- 018 System Options 6**
- 1 – Test Transmission Exception
 - 2 – Real-Time Bypass Reporting
 - 3 – Armed State PGM ON at End of Exit Delay
 - 4 – Not Used
 - 5 – Keypad Buzzer Alarm
 - 6 – Not Used
 - 7 – Exit Delay Restart (CP-01 ✓)
 - 8 – AC Fail Trouble Beeps ✓
- 019 System Options 7**
- 1 – Audible Wireless Zone Fault
 - 2 – Latching Troubles (UK ✓)
 - 3 – Not Used
 - 4 – R-Button
 - 5 – Audible Bus Fault (UK ✓)
 - 6 – Duress Codes
 - 7 – Temperature in Celsius ✓
 - 8 – Reset After Zone Activation
- 020 System Options 8**
- 1 – Access Code Entry During Entry Delay
 - 2 – EU Entry Procedure (UK ✓)
 - 3 – [*][8] Access While Armed
 - 4 – Remote Reset
 - 5 – Engineer's Reset
 - 6 – Keyswitch Disarming During Entry Delay
 - 7 – Installer Access and DLS
 - 8 – Troubles Inhibits Arming (UK ✓)
- 021 System Options 9**
- 1 – Trbl Display
 - 2 – Keypad Blanking while armed (UK ✓)
 - 3 – Auto-Arming Bypass
 - 4 – Ready Display
 - 5 – PGM Keypad Blanking
 - 6 – Armed Display
 - 7 – Open Cancels Arming (UK ✓)
 - 8 – Audible Exit Delay for Stay Arming
- 022 System Options 10**
- 1 – [F] Key Option
 - 2 – Not Used
 - 3 – Not Used
 - 4 – Test Transmission Counter in Hours
 - 5 – Away to Stay Toggle
 - 6 – 2-Way Full Duration ✓
 - 7 – Trouble Beeps Are Silent
 - 8 – Keyswitch Arms in Away Mode (UK ✓)
- 023 System Options 11**
- 1 – Ready LED Flash for Force Arm

✓ = Default

- 2 – Not Used
- 3 – Tamper/Fault Detection
- 4 – Access Code Required for [*]
[1]
- 5 – Access Code Required for [*]
[2]
- 6 – Access Code Required for [*]
[3]
- 7 – Access Code Required for [*]
[4]
- 8 – [*][6] Accessibility
- 024 System Options 12**
 - 1 – 50Hz AC / 60 Hz AC (EN ✓)
(AUS ✓)(NZ ✓)(CHN ✓)(SA ✓)
(CE ✓)(FRA ✓)(UK ✓)
 - 2 – Crystal Timebase
 - 3 – AC/DC Inhibits Arming(UK ✓)
 - 4 – Tamper Inhibit Arm
 - 5 – Real Time Clock Option
 - 6 – Not Used
 - 7 – Option 7 (AC Brownout Detection) This option must be enabled for UL/ULC Commercial Fire Installations.
 - 8 – DLS Disconnect
- 025 System Options 13**
 - 1 – European Dial(EN ✓)(AUS ✓)(BRAZIL ✓)(SA ✓)(CE ✓)
 - 2 – Force Dial ✓
 - 3 – Test Transmission Counter in Minutes
 - 4 – Not Used
 - 5 – ID Tone
 - 6 – Tone Generated-2100Hz
 - 7 – 1 Hour DLS Window
 - 8 – FTC Audible Bell
- 040 User Authentication**
 - 01 – User Code or Proximity Tag ✓
 - 02 – User Code and Proximity Tag
- 041 Access Code Digits**
 - 00 – 4-Digit Access Codes ✓
 - 01 – 6-Digit Access Codes
 - 02 – 8-Digit Access Codes
- 042 Event Verification**
 - 01 – Burglary Verified Counter (002)(UK 003)
 - 02 – Holdup Counter (002)
 - 03 – Burglary Verification Selection
 - 001 – Police Code ✓
 - 002 – Cross Zoning
 - 003 – EU Sequential Detection (UK ✓)
- 151-158 Partition 1-8 Auto-Arm/Disarm**
 - 001 – Auto-Arming Times (9999)
 - 24-Hour
 - Sunday
 - Monday
 - Tuesday
 - Wednesday
 - Thursday
 - Friday
 - Saturday
 - 002 – Auto-Disarm Times (9999)
 - 24-Hour
 - Sunday
 - Monday
 - Tuesday
 - Wednesday
 - Thursday
 - Friday
 - Saturday
 - 003 – Auto-Disarming Holiday Schedule
 - Holiday 1
 - Holiday 2
 - Holiday 3
 - Holiday 4
 - 004 – Auto-Arming Pre-Alert (004)
 - 005 – Auto-Arming Postpone Timer (000)
 - 006 – No Activity Arming Timer (000)
 - 007 – No Activity Arming Pre-Alert Timer (001)
- 200 Partition Mask**
 - 001 – Partition 1 to 8 Enable Mask
 - 1 – Partition 1 ✓
 - 2 – Partition 2
 - 3 – Partition 3
 - 4 – Partition 4
 - 5 – Partition 5
 - 6 – Partition 6
 - 7 – Partition 7
 - 8 – Partition 8
- 201-208 Partition 1-8 Zone Assignment**
 - 001 – Zone 1-8 ✓
 - 002 – Zn 9-16 ✓
 - 003 – Zn 17-24
 - 004 – Zn 25-32
 - 005 – Zn 33-40
 - 006 – Zn 41-48
 - 007 – Zn 49-56
 - 008 – Zn 57-64
 - 009 – Zn 65-72
 - 010 – Zn 73-80
 - 011 – Zn 81-88
 - 012 – Zn 89-96
 - 013 – Zn 97-104
 - 014 – Zn 105-112
 - 015 – Zn 113-120
 - 016 – Zn 121-128
- 300 Panel/Receiver Communications Path**
 - 001 – 004 Receiver 1-4
 - 01 – Phone Line ✓
 - 02 – Alt Comm Auto Routing
 - 03 – Alt Comm Rec 1-Ethernet
 - 04 – Alt Comm Rec 2-Ethernet
 - 05 – Alt Comm Rec 3-Cellular
 - 06 – Alt Comm Rec 4-Cellular
- 301 Phone Number Programming**
 - 001 – 004 Phone Number 1-4 Programming (DFFF...32-digit)
- 304 Call Waiting Cancel String (DB70EF)**
- Event Reporting**
- 307 Zone Reporting**
 - 001-128 Zone Reporting for Zones 1-128
 - 01 – Alarm ✓
 - 02 – Alarm Restore ✓
 - 03 – Tamper ✓
 - 04 – Tamper Restore ✓
 - 05 – Fault ✓
 - 06 – Fault Restore ✓
- 308 Event Reporting**
 - 001 – Miscellaneous Alarm 1
 - 01 – Duress Alarm ✓
 - 02 – Opening After Alarm ✓
 - 03 – Recent Closing Alarm ✓
 - 04 – Zone Expander Supervisory Alarm ✓
 - 05 – Zone Expander Supervisory Alarm Restore ✓
 - 06 – Burglary Verified ✓
 - 07 – Burg Not Verified Alarm ✓
 - 002 – Miscellaneous Alarm 2
 - 01 – Holdup Verified Alarm ✓
 - 011 – Priority Alarms
 - 01 – Keypad Fire Alarm-F Key ✓
 - 02 – Keypad Fire Restore ✓
 - 03 – Keypad Medical Alarm-M Key ✓
 - 04 – Keypad Medical Restore ✓
 - 05 – Keypad Panic Alarm (P) ✓
 - 06 – Keypad Panic Restore ✓
 - 07 – Auxiliary Input Alarm ✓
 - 08 – Aux Input Alarm Restore ✓
 - 021 – Fire Alarms 1
 - 03 – PGM 2 2-Wire Alarm ✓
 - 04 – PGM 2 2-Wire Restore ✓
 - 101 – Tamper Events
 - 03 – Module Tamper ✓
 - 04 – Module Tamper Restore ✓
 - 05 – Keypad Lockout ✓
 - 07 – Remote Lockout ✓
 - 201 – Open/Close Events 1
 - 01 – User Closing ✓
 - 02 – User Opening ✓
 - 03 – Future Use
 - 04 – Future Use
 - 05 – Special Closing ✓
 - 06 – Special Opening ✓
 - 07 – Keyswitch Opening ✓
 - 08 – Keyswitch Closing ✓
 - 202 – Open/Close Events 2
 - 01 – Automatic Closing ✓
 - 02 – Automatic Disarm ✓
 - 03 – Auto Arm Cancellation/Postpone ✓
 - 211 – Miscellaneous Open/Close Events
 - 01 – Late to Close ✓
 - 02 – Late to Open ✓
 - 05 – Exit Fault ✓
 - 221 – Bypass Events
 - 01 – Auto Zone Bypass
 - 02 – Auto Zone Unbypass
 - 03 – Partial Closing ✓
 - 301 – Panel Events 1
 - 01 – Panel AC Fail Trouble ✓
 - 02 – Panel AC Fail Restore ✓
 - 03 – Panel Low Battery ✓
 - 04 – Panel Low Battery Restore ✓
 - 05 – Panel Battery Absent ✓
 - 06 – Panel Battery Absent Trouble Restore ✓
 - 302 – Panel Events 2
 - 01 – Bell Circuit Trouble ✓
 - 02 – Bell Circuit Restore ✓
 - 03 – Telephone Line Trouble ✓
 - 04 – Telephone Line Trouble Restore ✓
 - 05 – Auxiliary Trouble ✓
 - 06 – Auxiliary Trouble Restore ✓
 - 305 – Panel Events 5
 - 03 – PGM 2 2-Wire Trouble ✓
 - 04 – PGM 2 2-Wire Restore ✓
 - 311 – Maintenance Events 1
 - 01 – RF Jam Trouble ✓
 - 02 – RF Jam Trouble Restore ✓
 - 03 – Fire Trouble ✓
 - 04 – Fire Trouble Restore ✓
 - 05 – Cold Start ✓
 - 06 – Delinquency ✓
 - 07 – Self Test Trouble ✓
 - 08 – Self Test Trouble Restore ✓
 - 312 – Maintenance Events 2
 - 01 – Installer Lead IN ✓
 - 02 – Installer Lead OUT ✓
 - 03 – DLS Lead IN ✓
 - 04 – DLS Lead OUT ✓
 - 05 – SA Lead IN
 - 06 – SA Lead OUT
 - 07 – Event Buffer 75% Full ✓
 - 313 – Maintenance Events 3
 - 01 – Firmware Update Begin ✓
 - 02 – Firmware Update Success ✓
 - 03 – Firmware Update Fail ✓
 - 314 – Maintenance Events 4
 - 01 – Gas Trouble ✓

✓ = Default

- 02 – Gas Trouble Restore ✓
 - 03 – Heat Trouble ✓
 - 04 – Heat Trouble Restore ✓
 - 05 – Freeze Trouble ✓
 - 06 – Freeze Trouble Restore ✓
 - 07 – Probe Disconnected ✓
 - 08 – Probe Disconnect Restore ✓
 - 321 – Receiver Events
 - 02 – Receiver 1 FTC Restore ✓
 - 04 – Receiver 2 FTC Restore ✓
 - 06 – Receiver 3 FTC Restore ✓
 - 08 – Receiver 4 FTC Restore ✓
 - 331 – Module Events 1
 - 01 – Module AC Trouble ✓
 - 02 – Module AC Trouble Restore ✓
 - 03 – Module Battery Trouble ✓
 - 04 – Module Battery Trouble Restore ✓
 - 05 – Module Battery Absent ✓
 - 06 – Module Battery Absent Restore ✓
 - 332 – Module Events 2
 - 01 – Module Low Voltage ✓
 - 02 – Module Low Voltage Restore ✓
 - 03 – Module Supervisory ✓
 - 04 – Module Supervisory Restore ✓
 - 05 – Module Aux Trouble ✓
 - 06 – Module Aux Trouble Restore ✓
 - 335 – Module Events 5
 - 01 – Output 1 Fault ✓
 - 02 – Output 1 Fault Restore ✓
 - 351 – Alternate Communicator 1
 - 01 – Alt. Comm. Module Comm Fault ✓
 - 02 – Alt. Comm. Module Comm Fault Restore ✓
 - 07 – Alt. Comm. Radio/SIM Failure ✓
 - 08 – Alt. Comm. Radio/SIM Failure ✓ Restore
 - 352 – Alternate Communicator 2
 - 01 – Alternate Comm. Network Fault ✓
 - 02 – Alt. Comm. Network Fault Restore ✓
 - 05 – Alt. Comm. Ethernet ✓
 - 06 – Alt. Comm. Ethernet Trouble Restore ✓
 - 354 – Alternate Communicator 4
 - 01 – Alt. Comm Receiver 1 ✓
 - 02 – Alt. Comm Receiver 1 Restore ✓
 - 03 – Alt. Comm Receiver 2 ✓
 - 04 – Alt. Comm Receiver 2 Restore ✓
 - 05 – Alt. Comm Receiver 3 ✓
 - 06 – Alt. Comm Receiver 3 Restore ✓
 - 07 – Alt. Comm Receiver 4 ✓
 - 08 – Alt. Comm Receiver 4 Restore ✓
 - 355 – Alternate Communicator 5
 - 01 – Alt. Comm Receiver 1 Supervision Failure ✓
 - 02 – Alt. Comm Receiver 1 Supervision Failure Restore ✓
 - 03 – Alt. Comm Receiver 2 Supervision Failure ✓
 - 04 – Alt. Comm Receiver 2 Supervision Failure Restore ✓
 - 05 – Alt. Comm Receiver 3 Supervision Failure ✓
 - 06 – Alt. Comm Receiver 3 Supervision Failure Restore ✓
 - 07 – Alt. Comm Receiver 4 Supervision Failure ✓
 - 08 – Alt. Comm Receiver 4 Supervision Failure Restore ✓
 - 361 – Wireless Device Events
 - 01 – Device AC Fail ✓
 - 02 – Device AC Restore ✓
 - 03 – Device Low Battery ✓
 - 04 – Device Low Battery Restore ✓
 - 05 – Device Fault ✓
 - 06 – Device Fault Restore ✓
 - 401 – System Test Events
 - 01 – Walk Test Start ✓
 - 02 – Walk Test End ✓
 - 03 – Periodic Test Transmission ✓
 - 04 – Periodic Test Transmission with Trouble ✓
 - 05 – System Test ✓
- Communications**
- 309 System Call Direction**
- 001– Maintenance Events
 - 1 – Receiver 1 ✓
 - 2 – Receiver 2
 - 3 – Receiver 3
 - 4 – Receiver 4
 - 002 – Test Transmission Events
 - 1 – Receiver 1 ✓
 - 2 – Receiver 2
 - 3 – Receiver 3
 - 4 – Receiver 4
- 310 Account Codes**
- 000 – System Account Code (FFFF)
 - 001-008 – Partition 1-8 Account Code (FFFF)
- 311-318 Partition 1-8 Call Direction**
- 001 – Partition Burglary Alarm/Restore Call Direction
 - 1 – Receiver 1 ✓
 - 2 – Receiver 2
 - 3 – Receiver 3
 - 4 – Receiver 4
 - 002 – Partition Tamper/Restore Call Direction
 - 1 – Receiver 1 ✓
 - 2 – Receiver 2
 - 3 – Receiver 3
 - 4 – Receiver 4
 - 003 – Partition Opening/Closing Call Direction
 - 1 – Receiver 1 ✓
 - 2 – Receiver 2
 - 3 – Receiver 3
 - 4 – Receiver 4
- 350 Communicator Formats (04 - SIA)**
- 001– Communicator Format - Receiver 1
 - 002– Communicator Format - Receiver 2
 - 003– Communicator Format - Receiver 3
 - 004– Communicator Format - Receiver 4
- 377 Communication Variables**
- 001 – Swinger Shutdown Attempts
 - Alarms and Restore (003) (CP-01 002 sec.)
 - Tamper and Restore (003)
 - Maintenance and Restore (003)
 - 002 – Communication Delays
 - Zone Delay (000 sec.)(CP-01 030 sec.)
 - AC Failure Communication Delay (030 min./hrs.)
 - TLM Trouble Delay (010 sec. x 3)
 - WLS Zone Low Battery Transmission Delay (007 days)
 - Delinquency Transmission Delay (030 hours/days)
 - Communications Cancel Window (000 min.) (CP-01 005 sec.)
 - 003 – Periodic Test Transmission Cycle (030 hrs./days)
 - 004 – Periodic Test Transmission Time of Day (9999)
 - 011 – Maximum Dialing Attempts (005)
 - 012 – PSTN Delay (003 sec.)
 - 013 – Delay Between Force Attempts (020 sec.)
 - 014 – Post Dial Wait for Handshake (040 sec.)
 - 015 – T-Link Wait for Ack (060 sec.)
 - 016 – IP/Cellular Fault Check Timer (010)
- 380 Communicator Option 1**
- 1 – Communications Enabled ✓
- 2 – Restore on Bell Timeout
 - 3 – Pulse Dialing
 - 4 – Pulse Dial After 5th Attempt
 - 5 – Parallel Communications
 - 6 – Alternate Dial ✓
 - 7 – Reduced Dialing Attempts
 - 8 – Activity Delinquency
- 381 Communicator Option 2**
- 1 – Keypad Ringback
 - 2 – Bell Ringback
 - 4 – Closing Confirmation
 - 8 – Communications Priority
- 382 Communicator Option 3**
- 1 – Test Transmission Receiver
 - 2 – Walk Test Communication (UK ✓)
 - 4 – Call Waiting Cancel
 - 5 – Alternate Communicator Enable
 - 6 – AC Failure TX in Hours
 - 8 – Tamper Limit (UK ✓)
- 383 Communicator Option 4**
- 1 – Phone Number Account Code
 - 2 – 6-Digit Account Code
 - 5 – Communicate FTC Events
- 384 Communicator Backup Options**
- 2 – Backup Options - Receiver 2 ✓
 - 3 – Backup Options - Receiver 3
 - 4 – Backup Options - Receiver 4
- 385 Audio Module Talk/Listen Mask**
- 1 – Talk/Listen on Phone Number 1
 - 2 – Talk/Listen on Phone Number 2
 - 3 – Talk/Listen on Phone Number 3
 - 4 – Talk/Listen on Phone Number 4
- DLS Programming**
- 401 DLS/SA Options**
- 1 – Double Call (C ✓)
 - 2 – User Enables DLS ✓ (C off)
 - 3 – DLS Callback
 - 4 – User Call Up
 - 6 – Panel Call-Up and Baud Rate
 - 7 – Alt. Comm DLS ✓
- 402 DLS Phone Number Programming (31-digit decimal)**
- 403 DLS Access Code (default is based on model)**
- HS2128 Models (212800)
 - HS2064 Models (212800)
 - HS2032 Models (212800)
 - HS2016 Models (212800)
- 404 DLS/SA Panel ID (default is based on model)**
- HS2128 Models (2128000000)
 - HS2064 Models (2064000000)
 - HS2032 Models (2032000000)
 - HS2016 Models (2016000000)
- 405 PSTN Double Call Timer (060 sec.)**
- 406 PSTN Number of Rings to Answer On (000)**
- 407 SA Access Code (FFFFFF)**
- 410 Automatic DLS Options**

✓ = Default

- 001 – Automatic DLS Toggle Options
- 1 – Periodic DLS
 - 3 – DLS on Event Buffer 75% Full
 - 8 – DLS On Programming Change
- 002 – Periodic DLS Days (000 days)
- 003 – Periodic DLS Time (0000)
- 007 – Delay Call Window
- Delay Call Window Start (0000)
 - Delay Call Window End (0000)
- 560 Virtual Inputs (000)**
- 001 - 032 – Virtual Input 1-32
- Schedule Programming**
- 601-604 Programming Schedule 1-4**
- 101 – Interval 1 Start Time (0000)
- 102 – Interval 1 End Time (0000)
- 103 – Interval 1 Days Assignment
- 01 – Sunday
 - 02 – Monday
 - 03 – Tuesday
 - 04 – Wednesday
 - 05 – Thursday
 - 06 – Friday
 - 07 – Saturday
- 104 – Interval 1 Holiday Assignment
- 09 – Holiday 1
 - 10 – Holiday 2
 - 11 – Holiday 3
 - 12 – Holiday 4
- 201 – Interval 2 Start Time (0000)
- 202 – Interval 2 End Time (0000)
- 203 – Interval 2 Days Assignment
- 01 – Sunday
 - 02 – Monday
 - 03 – Tuesday
 - 04 – Wednesday
 - 05 – Thursday
 - 06 – Friday
 - 07 – Saturday
- 204 – Interval 2 Holiday Assignment
- 09 – Holiday 1
 - 10 – Holiday 2
 - 11 – Holiday 3
 - 12 – Holiday 4
- 301 – Interval 3 Start Time (0000)
- 302 – Interval 3 End Time (0000)
- 303 – Interval 3 Days Assignment
- 01 – Sunday
 - 02 – Monday
 - 03 – Tuesday
 - 04 – Wednesday
 - 05 – Thursday
 - 06 – Friday
 - 07 – Saturday
- 304 – Interval 3 Holiday Assignment
- 09 – Holiday 1
 - 10 – Holiday 2
 - 11 – Holiday 3
- 12 – Holiday 4 201 – Interval
- 2 Start Time (0000)
- 402 – Interval 4 End Time (0000)
- 403 – Interval 4 Days Assignment
- 01 – Sunday
 - 02 – Monday
 - 03 – Tuesday
 - 04 – Wednesday
 - 05 – Thursday
 - 06 – Friday
 - 07 – Saturday
- 404 – Interval 4 Holiday Assignment
- 09 – Holiday 1
 - 10 – Holiday 2
 - 11 – Holiday 3
 - 12 – Holiday 4
- 711-714 Holiday Group 1-4**
- 001 – 099 Holiday Group 1-4 Date 1-99 (000000, MMDDYY)
- Audio Station Programming**
- 802 Audio Station Assignment**
- 001 – 128 – Station Assignment 1 - 128 (00)
- 600 – 2-Way Audio Trigger Option 1
- 01 – Tamper
 - 03 – [A] Key Alarm ✓
 - 04 – [P] Key Alarm ✓
 - 05 – Duress Alarm ✓
 - 06 – Opening After Alarm ✓
 - 07 – Future Use
 - 08 – Zone Supervision Alarm
- 603 – 2-Way Audio Control Option 1
- 01 – Future Use
 - 02 – Listen to all zones / Listen to zones in alarm ✓
 - 03 – Future Use
 - 04 – Siren Active During 2-Way Audio
 - 05 – Hang-Up Auto Detection
 - 06 – User Call-In
 - 07 – Future Use
 - 08 – 2-Way Audio Initiated by CS ✓
- 605 – Record Options
- 01 – Audio Capture Enable ✓
 - 02 – Erase on FTC
- 606 – Audio Station Record Control Option 1
- 01 – Audio Station 1 Record ✓
 - 02 – Audio Station 2 Record ✓
 - 03 – Audio Station 3 Record ✓
 - 04 – Audio Station 4 Record ✓
- 610 – Call Back / Recovery Window Duration (05)
- 611 – Call Back Acknowledge code (9999)
- 612 – Answering Machine Bypass (00)
- 613 – Double Call Timer (030)
- 614 – Number of Rings to Answer (00)
- 615 – Audio Duration (90 sec.)
- 616 – Record Time (105 sec.)
- 617 – Erase Timer (15 min.)
- 606 – Audio Station Tamper Option 1
- 01 – Audio Station 1 Tamper
 - 02 – Audio Station 2 Tamper
 - 03 – Audio Station 3 Tamper
 - 04 – Audio Station 4 Tamper
- Wireless Programming**
- 804 Wireless Programming**
- 000 – WLS Device Enrollment Zones (3-digit decimal)
- Zone Type (2-digit decimal)
- Partition Assignment
- Zone Label (LCD only)
- WLS Keys
- Partition Assignment
- User Assignment
- Sirens
- Partition Assignment
- Siren Label (LCD only)
- Keypads
- Keypad Assignment
- Keypad Label (LCD only)
- Repeaters
- Repeater Label (LCD only)
- 001 - 128 – Configure Wireless Zones
- Refer to the installation instructions provided with the HSM2Host for more wireless programming options.
- 850 Cellular Signal Strength**
- 851 Alternate Communicator Programming**
- Refer to the installation instructions provided with the alternate communicator for details.
- Keypad Programming**
- 860 Keypad Slot Number**
- 861-876 Keypad Programming**
- 000 – Keypad Partition Mask
- 00 – Global Keypad
- 01 – Partition 1 ✓
 - 02 – Partition 2
 - 03 – Partition 3
 - 04 – Partition 4
 - 05 – Partition 5
 - 06 – Partition 6
 - 07 – Partition 7
 - 08 – Partition 8
- 001 – Function Key 1 (03)
- 002 – Function Key 2 (04)
- 003 – Function Key 3 (06)
- 004 – Function Key 4 (22)
- 005 – Function Key 5 (16)
- 00 – Null Key
- 02 – Instant Stay Arm
- 03 – Stay Arm
- 04 – Away Arm
- 05 – No Entry Arm
- 06 – Chime On/Off
- 07 – System Test
- 09 – Night Arm
- 12 – Global Stay Arm
- 13 – Global Away Arm
- 14 – Global Disarming
- 16 – Quick Exit
- 17 – Arm Interior
- 21-24 – Command Output 1-4
- 29 – Bypass Group Recall
- 31 – Local PGM Activate
- 32 – Bypass Mode
- 33 – Bypass recall
- 34 – User Programming
- 35 – User Functions
- 37 – Time/Date Programming
- 39 – Trouble Display
- 40 – Alarm Memory
- 61-68 – Partition Select 1-8
- 011 – Keypad I/O (000)**
- 012 – Local PGM Output Timer**
- Pulse Time (00 minutes)
- Pulse Time (05 sec.)
- 021 – Keypad Option 1**
- 1 – [F] Key Enabled ✓
 - 2 – [M] Key Enabled ✓
 - 3 – [P] Key Enabled ✓
 - 4 – Display Code or X's ✓
- 022 – Keypad Option 2**
- 1 – Local Clock Display ✓
 - 2 – Local Clock Display 24 Hour
 - 3 – Auto Alarm Scroll ✓
 - 5 – Power LED Option ✓
 - 6 – Power LED AC Present ✓
 - 7 – Alarms Displayed if Armed ✓
 - 8 – Auto Scroll Open Zones ✓
- 023 – Keypad Option 3**
- 1 – Armed LED Power Save*
 - 2 – Keypad Show Arm Mode ✓*
 - 3 – 5th Terminal is PGM Output/Zone
 - 4 – Prox Tag Arm/Disarm
 - 7 – Local Display of Temp.
 - 8 – Low Temperature Warning
- 030 – LCD Message (16 x 2 hex)**
- 031 – Download LCD Message Duration (000)**
- 041 – Indoor Temperature Zone Entry (000)**
- 042 – Outdoor Temperature Zone Entry (000)**
- 101-228 – Door Chime Sound-Zone 1-128**
- 00 – Disabled
 - 01 – 6 beeps ✓
 - 02 – "Bing-Bong" Sound
 - 03 – "Ding-Dong" Sound
 - 04 – Alarm Tone
 - 05 – Zone Name
- 899 Template Programming**
- 5-Digit Template Code (5-digit decimal)
 - Central Station Telephone Number (32-digit decimal)
 - Central Station Account Code (4/6-digit decimal)

✓ = Default

- Partition Account Code (4-digit decimal)
- DLS Access Code (6-digit decimal)
- Partition Entry Delay (000-255 sec.)
- Partition Exit Delay (000-255 sec.)
- Installer Code

System Information and

Testing

900 System Information

- 000 – Control Panel Version
- 001- 016 – Keypad 1-16 Version Info
- 101-116 – 8-HSM2108 1-16 Version Info
- 201-216 – HSM2208 Version Information
- 460 – Alternate Communicator
- 461 – HSM2HOST Version Info
- 481 – HSM2955 Version Info
- 501 – 504 HSM2300 1-4 Version Info
- 521 – 524 HSM2204 1-4 Version Info

901 Installer Walk Test

Module Programming

902 Add/Remove Modules

- 000 – Auto-Enroll All Modules
- 001 – Enroll Modules
- 002 – Slot Assignment
- 003 – Edit Module Slot Assignment
- 101 – Delete Keypads
- 102 – Delete HSM2108
- 103 – Delete HSM2208
- 106 – Delete HSM2HOST
- 108 – Delete HSM2955
- 109 – Delete HSM2300
- 110 – Delete HSM2204

903 Confirm Modules

- 000 – View All Modules
- 101 – Keypads
- 102 – HSM2108
- 103 – HSM2208
- 106 – HSM2HOST
- 108 – Confirm HSM2955
- 109 – HSM2300
- 110 – HSM2204

904 Wireless Placement Test

- 001-128 – Placement Test Zones
- 1-128
- 521-528 – Placement Test Repeaters 1-28
- 551-566 – Placement Test Sirens
- 1-16
- 601-632 – Placement Test Wireless Keys 1-32
- 701-716 – Placement Test Wireless Keypads 1-16

912 Soak Test

- 000 – Zone Soak Test Duration
- Default: 014
- 001-128 – Zone Soak Test - Zones
- 1-128

Battery Settings

982 Battery Settings

- 000- Panel Battery Settings
 - 01- Panel High Charge Current (SA ✓)(FRA ✓)(UK ✓)
- 010 – HSM2204 Battery Settings
 - 01 – HSM2204 1 High Charge Current (SA ✓)(FRA ✓)(UK ✓)
 - 02 – HSM2204 2 High Charge Current (SA ✓)(FRA ✓)(UK ✓)
 - 03 – HSM2204 3 High Charge Current (SA ✓)(FRA ✓)(UK ✓)
 - 04 – HSM2204 4 High Charge Current (SA ✓)(FRA ✓)(UK ✓)
- 020 – HSM2300 Battery Settings
 - 01 – HSM2300 1 Charge (SA ✓)(FRA ✓)(UK ✓)
 - 02 – HSM2300 2 Charge (SA ✓)(FRA ✓)(UK ✓)
 - 03 – HSM2300 3 Charge (SA ✓)(FRA ✓)(UK ✓)
 - 04 – HSM2300 4 Charge (SA ✓)(FRA ✓)(UK ✓)

Defaults

989 Default Master Code

990 Installer Lockout Enable/Disable

991 Default Keypads

- 901-916 – Default Keypad 1-16
- 999 – Default all Keypads

993 Default Alt Comm

996 Default HSM2HOST

998 Default HSM2955

999 Default System

* Wireless keypads only

Zone Record

Zone	Label	Location	Type	Attribute	Zone	Label	Location	Type	Attribute
001					002				
003					004				
005					006				
007					008				
009					010				
011					012				
013					014				
015					016				
017					018				
019					020				
021					022				
023					024				
025					026				
027					028				
029					030				
031					032				
033					034				
035					036				
037					038				
039					040				
041					042				
043					044				
045					046				
047					048				
049					050				
051					052				
053					054				
055					056				
057					058				
059					060				
061					062				
063					064				
065					066				
067					068				
069					070				
071					072				
073					074				
075					076				
077					078				
079					080				
081					082				
083					084				
085					086				
087					088				
089					090				
091					092				
093					094				
095					096				
097					098				

Zone	Label	Location	Type	Attribute	Zone	Label	Location	Type	Attribute
099					100				
101					102				
103					104				
105					106				
107					108				
109					110				
111					112				
113					114				
115					116				
117					118				
119					120				
121					122				
123					124				
125					126				
127					128				

Module Record

Module Type	Slot	Serial Number	Module Type	Slot	Serial Number

Wireless Device Record

Device Type	Zone	Serial Number	Device Type	Zone	Serial Number

Installer-Defined Access Codes

001 – Installer Code:	
002 – Master Code:	
003 – Maintenance Code:	

System Account Code

--

Locating Detectors and Escape Plan

The following information is for general guidance only and it is recommended that local fire codes and regulations be consulted when locating and installing smoke and CO alarms.

Smoke Detectors

Research has shown that all hostile fires in homes generate smoke to a greater or lesser extent. Experiments with typical fires in homes indicate that detectable quantities of smoke precede detectable levels of heat in most cases. For these reasons, smoke alarms should be installed outside of each sleeping area and on each storey of the home.

The following information is for general guidance only and it is recommended that local fire codes and regulations be consulted when locating and installing smoke alarms.

It is recommended that additional smoke alarms beyond those required for minimum protection be installed. Additional areas that should be protected include: the basement; bedrooms, especially where smokers sleep; dining rooms; furnace and utility rooms; and any hallways not protected by the required units. On smooth ceilings, detectors may be spaced 9.1m (30 feet) apart as a guide. Other spacing may be required depending on ceiling height, air movement, the presence of joists, uninsulated ceilings, etc. Consult National Fire Alarm Code NFPA 72, CAN/ULC-S553-02 or other appropriate national standards for installation recommendations.

- Do not locate smoke detectors at the top of peaked or gabled ceilings; the dead air space in these locations may prevent the unit from detecting smoke.
- Avoid areas with turbulent air flow, such as near doors, fans or windows. Rapid air movement around the detector may prevent smoke from entering the unit.
- Do not locate detectors in areas of high humidity.
- Do not locate detectors in areas where the temperature rises above 38°C (100°F) or falls below 5°C (41°F).
- Smoke detectors should always be installed in USA in accordance with Chapter 11 of NFPA 72, the National Fire Alarm Code: 11.5.1.1.

Where required by applicable laws, codes, or standards for a specific type of occupancy, approved single- and multiple-station smoke alarms shall be installed as follows:

1. In all sleeping rooms and guest rooms.
2. Outside of each separate dwelling unit sleeping area, within 6.4 m (21 ft) of any door to a sleeping room, the distance measured along a path of travel.
3. On every level of a dwelling unit, including basements.
4. On every level of a residential board and care occupancy (small facility), including basements and excluding crawl spaces and unfinished attics.
5. In the living area(s) of a guest suite.
6. In the living area(s) of a residential board and care occupancy (small facility).

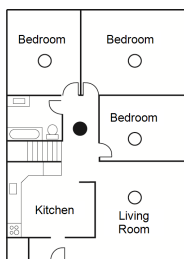


Figure 1

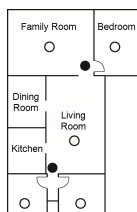


Figure 2

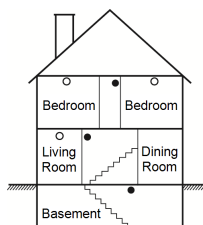


Figure 3

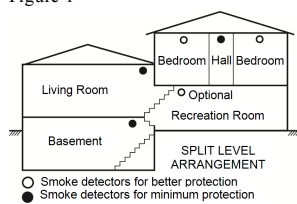


Figure 3a

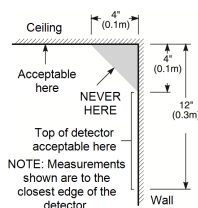


Figure 4

Fire Escape Planning

There is often very little time between the detection of a fire and the time it becomes deadly. It is thus very important that a family escape plan be developed and rehearsed.

1. Every family member should participate in developing the escape plan.
2. Study the possible escape routes from each location within the house. Since many fires occur at night, special attention should be given to the escape routes from sleeping quarters.
3. Escape from a bedroom must be possible without opening the interior door.

Consider the following when making your escape plans:

- Make sure that all border doors and windows are easily opened. Ensure that they are not painted shut, and that their locking mechanisms operate smoothly.
- If opening or using the exit is too difficult for children, the elderly or handicapped, plans for rescue should be developed. This includes making sure that those who are to perform the rescue can promptly hear the fire warning signal.
- If the exit is above the ground level, an approved fire ladder or rope should be provided as well as training in its use.
- Exits on the ground level should be kept clear. Be sure to remove snow from exterior patio doors in winter; outdoor furniture or equipment should not block exits.
- Each person should know the predetermined assembly point where everyone can be accounted for (e.g., across the street or at a neighbor's house). Once everyone is out of the building, call the fire department.
- A good plan emphasizes quick escape. Do not investigate or attempt to fight the fire, and do not gather belongings as this can waste valuable time. Once outside, do not re-enter the house. Wait for the fire department.
- Write the fire escape plan down and rehearse it frequently so that should an emergency arise, everyone will know what to do. Revise the plan as conditions change, such as the number of people in the home, or if there are changes to the building's construction.
- Make sure your fire warning system is operational by conducting weekly tests. If you are unsure about system operation, contact your installer.
- We recommend that you contact your local fire department and request further information on fire safety and escape planning. If available, have your local fire prevention officer conduct an in-house fire safety inspection.

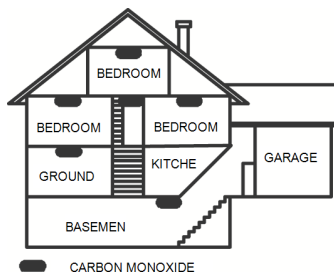


Figure 5

Carbon Monoxide Detectors

Carbon monoxide is colorless, odorless, tasteless, and very toxic, it also moves freely in the air. CO detectors can measure the concentration and sound a loud alarm before a potentially harmful level is reached. The human body is most vulnerable to the effects of CO gas during sleeping hours; therefore, CO detectors should be located in or as near as possible to sleeping areas of the home. For maximum protection, a CO alarm should be located outside primary sleeping areas or on each level of your home. Figure 5 indicates the suggested locations in the home.

Do NOT place the CO alarm in the following areas:

- Where the temperature may drop below -10°C or exceed 40°C
- Near paint thinner fumes
- Within 5 feet (1.5m) of open flame appliances such as furnaces, stoves and fireplaces
- In exhaust streams from gas engines, vents, flues or chimneys
- In close proximity to an automobile exhaust pipe; this will damage the detector

PLEASE REFER TO THE CO DETECTOR INSTALLATION AND OPERATING INSTRUCTION SHEET FOR SAFETY INSTRUCTIONS AND EMERGENCY INFORMATION.

Aux Loading and Battery Selection

HS2128/HS2064/ HS2032/HS2016 Board current draw mA	UL Residential Burg ULC Residential Burg	UL Commercial Burg	UL Resi Fire UL Home Health Care ULC Resi Fire ULC Com Burg	ULC Fire Monitoring	EN50131 Grade 2/Class II
Max AUX (NSC) current loading	0.7A	0.7A	0.5A	0.5A	480mA
Max BELL (Alarm) current loading	0.7A	0.7A	0.7A	0.7A (no local alarm notification allowed, only remote transmission to SRC)	0.7A
UL/ULC Listed enclosure	PC500C PC5003C	CMC-1 PC4050CAR	PC5003C	PC5003C PC4050CR (red/transformer mounted inside)	PC5003C Power UC1
Transformer requirements	16.5V/40VA (plug in type) PTC1640U (USA) PTC1640CG (CAN)			FTC1637 (cUL listed) 16.5V/37VA (Hardwired type, mounted inside the enclosure or outside using electrical box)	16.5V/40VA (hardwired type, mounted inside the cabinet)
Battery Capacity requirements	7Ah	7Ah	14Ah (2 x 7Ah in parallel)	14Ah (2 x 7Ah in parallel)	7Ah
Standby Time	UL: 4 hours ULC: 24 hours	4 hours	24 hours	24 hours	12 hours
Alarm time	4 minutes	15 minutes	4 min (UL resi fire) 5 min (Home Health Care and ULC Resi Fire)	5 minutes (Alarm Transmission only)	N/A
Recharging current setting	mA, 700mA	mA, 700mA	mA, 700mA	480mA, 700mA	480mA, 700mA

EU Compliance Statement

This Product (HS218/HS2064/HS2032/HS2016) is in Conformity with EMC Directive 2004/108/EC based on results using harmonized standards in accordance with article 10(5), R&TTE Directive 1999/5/EC based on Following Annex III of the directive and LVD directive 2006/95/EC based on results using Harmonized standards.

This product meets the requirements of Class II, Grade 2 equipment as per EN50131-1: 2006+A1:2009, EN50131-3:2009, EN50131-6:2008 (Type A), EN50136-1-1:1997, EN50136-2-1, EN50136-2-3 (ATS2) Standards.

This device is suitable for use in systems with the following notification options.

A (use of two warning devices and internal dialer required)

B (self-powered warning device and internal dialer required)

C (use of DSC compatible alternate communicator in back-up or redundant mode)

D (use of DSC compatible alternate communicator with encryption enabled required.)

For EN50131 compliant installations only the intrusion portion of the alarm system has been investigated. Fire Alarm and Auxiliary (Medical) Alarm functions were not included in the evaluation of this product under the requirements of the above mentioned standards.

Additional features implemented for EN 50131 Grade 2:

Fire alarm and CO alarm annunciation

Auxiliary (medical) alarm annunciation

Optional feature implemented for EN 50131 Grade 2:

Removal from mounting tamper detection for non wire-free components

The model HS2128, HS2064, HS2032, HS2016 Control Panel has been certified by Telefication according to EN50131-1:2006 +A1:2009, EN50131-3:2009, EN50131-6:2008 (Type A) and EN50136-1:1997 (ATS2) for Grade 2, Class II.

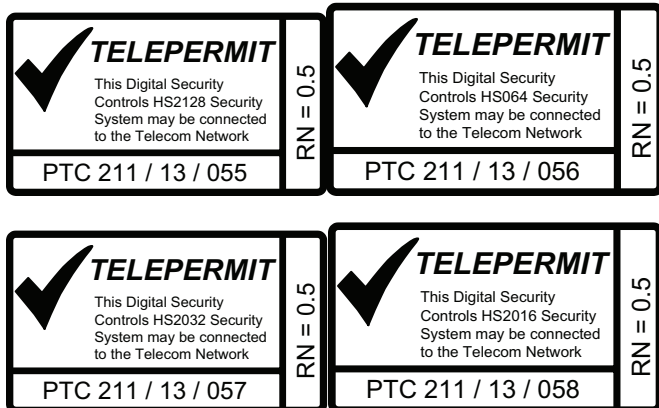


This product is in conformity with: EMC Directive 2004/108/EC based on results using harmonized standards in accordance with article 10(5), R&TTE Directive 1999/5/EC based on following Annex III of the directive and LVD Directive 2006/95/EC based on results using harmonized standards. The product is labelled with the CE mark as proof of compliance with the above mentioned European Directives. Also a CE declaration of conformity (DoC) for this product can be found at www.dsc.com under Agency Listings section.

Australia Compliance Mark



New Zealand Telepermit Grant



UK Compliance Statement

In the UK this product is suitable for use in systems installed to conform to PD 6662:2010 at Grade 2 and environmental class 2 with the following notification options: A, B, C, D, X.

The CIE and notification equipment should be located and supervised to minimize the risk of vandalism or sabotage. It is preferable for the CIE, signaling and network equipment to be located in an area where a confirmed activation will be generated.

HS2128, HS2064, HS2032, HS2016 are compliant with criteria for sequentially confirmed intruder alarm systems as per Standard BS8243:2010.

For an alarm condition to be regarded as sequentially confirmed:

- a) The HS2128, HS2064, HS2032, HS2016 should be configured so that at least two separate alarm conditions are reported, each originating from an independent detector within the confirmation time; Section [042] option 003 (Sequential Detection), section [005]>[000], Burglary Verification Timer set to a value between 30 and 60.
- b) The two detectors should either be of:
 - 1) different technologies which are permitted to have overlapping areas of coverage; or
 - 2) the same single technology and not have overlapping areas of coverage.

To be regarded as independent, each detector should be configured to report alarm conditions separately to the HS2128, HS2064, HS2032, HS2016.

The HS2128, HS2064, HS2032, HS2016 are capable of supporting the completion of the full setting procedure by one of the following methods:

- a) push button switch mounted outside the supervised premises. Instructions to be provided for the zone type to be programmed for the key arming; or
- b) protective switch (i.e., door contact) fitted to the final exit door of the alarmed premises or area. Use zone type 016 (Final Door Set) for the final exit door.

In this case the setting procedure is a two-stage process of initiating the setting procedure within the supervised premises (e.g., using wireless key PG8929, PG8939, PG8938, PG8949 or user code) followed by completion of setting by one of the two methods described above.

This prohibits the use of a timed exit procedure.

If a protective switch (i.e. door contact) is used as the method of completion of setting, then the keypad should be sited near to the final exit door so that the IAS can be unset promptly. Where appropriate, additional internal audible indications (PG8911 indoor sirens) should be provided so that persons within a building are informed that the HS2128, HS2064, HS2032, HS2016 are due to be set. Additional keypads should be provided, where appropriate, so that if the alarm panel is set there are means available locally within the supervised premises to unset the system.

HS2128, HS2064, HS2032, HS2016 are capable of supporting the following unsetting methods in accordance with BS8243:

6.4.2 Prevention of entry to the supervised premises before the HS2128, HS2064, HS2032, HS2016 are unset. Unsetting using PG8929, PG8939, PG8938, PG8949 wireless key before entering the supervised premises causes or permits the initial entry door to be unlocked. Program PGM1 or PGM2 in Section [009] to activate when system is disarmed and release the mag-lock on the entry door.

Compliance labeling should be removed or adjusted if non-compliant configurations are selected.

Hereby, DSC, declares that this device is in compliance with the essential requirements and other relevant provisions of Directive 1999/5/EC. The complete R&TTE Declaration of Conformity can be found at http://www.dsc.com/listings_index.aspx

(CZE) DSC jako výrobce prohlašuje, že tento výrobek je v souladu se všemi relevantními požadavky směrnice 1999/5/EC.

(DAN) DSC erklærer herved at denne komponenten overholder alle vigtige krav samt andre bestemmelser gitt i direktiv 1999/5/EC.

(DUT) Hierbij verklaart DSC dat dit toestel in overeenstemming is met de eisen en bepalingen van richtlijn 1999/5/EC.

(FIN) DSC vakuuttaa laitteen täyttävän direktiivin 1999/5/EC olennaiset vaatimukset.

(FRE) Par la présente, DSC déclare que ce dispositif est conforme aux exigences essentielles et autres stipulations pertinentes de la Directive 1999/5/EC.

(GER) Hierdurch erklärt DSC, daß dieses Gerät den erforderlichen Bedingungen und Voraussetzungen der Richtlinie 1999/5/EC entspricht.

(GRE) Δια του παρόντος, η DSC, δηλώνει ότι αυτή η συσκευή είναι σύμφωνη με τις ουσιαστικές απαιτήσεις και με όλες τις άλλες σχετικές αναφορές της Οδηγίας 1999/5/EC.

(ITA) Con la presente la Digital Security Controls dichiara che questo prodotto è conforme ai requisiti essenziali ed altre disposizioni rilevanti relative alla Direttiva 1999/05/CE.

(NOR) DSC erklærer at denne enheten er i samsvar med de grunnleggende krav og øvrige relevante krav i direktiv 1999/5/EF.

(POL) DSC oświadcza, że urządzenie jest w zgodności z zasadniczymi wymaganiami oraz pozostałymi stosownymi postanowieniami Dyrektywy 1999/5/WE.

(POR) Por este meio, a DSC, declara que este equipamento está em conformidade com os requisitos essenciais e outras determinações relevantes da Directiva 1999/5/EC.

(SPA) Por la presente, DSC, declara que este equipo está en conformidad con los requisitos esenciales y otros requisitos relevantes de la Directiva 1999/5/EC.

(SWE) DSC bekräftar härmed att denna apparat uppfyller de väsentliga kraven och andra relevanta bestämmelser i Direktivet 1999/5/EC.

SIA False Alarm Reduction Installations: Quick Reference

Minimum required system consists of one Control unit model HS2128 or HS2064 or HS2032 or HS2016 and any one of the compatible listed keypads: HS2LCDRF9, HS2LCDRFP9, HS2ICNRF9, HS2ICNRF9, HS2LCD, HS2LCDP, HS2ICN, HS2ICNP, HS2LED HS2TCHP.

The following wireless keys can also be used in SIA compatible installations: PG9929, PG9939, PG9949.

Note: For models PG9929 and PG9939, the panic/emergency key shall be disabled for SIA compliant installations.

For a list of the default values programmed when the unit is shipped from the factory, and for other programming information, refer to the following table.

The following optional subassembly modules also bear the SIA CP-01-2010 classification and may be used if desired: HSM2108 zone expander, HSM2208 PGM output module, HSM2300 auxiliary power supply, HSM2204 output module, HSM2HOST9 2-way wireless transceiver, PG9901 indoor siren, PG9911 outdoor siren, and 3G2080(R)/ TL2803G(R)/ TL280(R) cellular and PSDN communication module.

Caution

- For SIA FAR installations use only modules/devices that are listed on this page.
- Fire Alarm Verification feature (Auto Verified Fire Zone type [025]) is not supported on 2-wire smoke detectors zones, model FSA-210B(T)(S)(ST)(LST)(R)(RT)(RD)(RST)(LRST). This feature may be enabled for 4-wire smoke detectors only (FSA-410B(T)(S)(ST)(LST)(R)(RT)(RST)(LRST) and wireless detectors PG9916/PG9926). The fire alarm delay is 60s.
- Call Waiting Cancel (Section [382], option 4) on a non-Call Waiting line will prevent successful communication to the supervising station.
- All system smoke detectors must be tested annually by conducting an Installer Walk Test. Prior to exiting Walk Test mode, a sensor reset must be done on the system, [*][7][2], to reset all latching 4-wire smoke detectors. Refer to the installation instructions supplied with the detector for details.

Notes

- Programming at installation may be subordinate to other UL requirements for the intended application.
- Cross zones have the ability to individually protect the intended area (e.g. motion detectors which overlap).
- Cross zoning is not recommended for line security Installations nor is it to be implemented on exit/entry zones.
- This control panel has a communication delay of 30 seconds. It can be removed or increased up to 45 seconds by the end user with installer consultation.
- The system shall be installed with the sounding device activated and the communicator enabled for transmission using SIA or CID format.
- ULC commercial burglary installations require DEOL resistors.

SIA Feature Programming Section	Comments	Range/Default	Requirement
Exit Time [005]>[001], option 3	Access to Entry and Exit delays and Bell Time Out for the system.	Range:45- 255 seconds Default: 60 sec.	Required (programmable)
Exit Delay Restart [018], option 7	Opening a Delay zone door after it has already been opened and closed during an exit delay restarts the exit delay timer.	Default: Enabled	Required
Auto Stay Arm on Un-vacated Premises [001]>[001]-[128] Zone type 05, 06,09	Function key: Forces the system to arm in Stay mode if the occupant does not exit the premises after pressing the Away function key.	If no exit after full arm Default: Enabled	Required
Exit Time and Progress Annunciation/Disable or Remote Arming [861]>[001]-[005], option 4	System times and audible exit beeps can be disabled when using the wireless key to stay arm the system. When away arming, audible exit beeps can not be disabled.	Default: Enabled	Allowed
Entry delay(s) [005]>[001]-[008], options 1 and 2	Access to entry and exit delays and bell time out for the system Note: Combined entry delay and communications delay (abort window) shall not exceed 60s.	Range: 30 sec. to 4 min. Default: 30 sec.	Required (programmable)
Abort Window for Non-Fire zones [002]>[001]-[128], option 7 ON	Access to zone attributes, i.e., swinger shutdown, transmission delay and cross zone. May be disabled by zone or zone type.	Default: Enabled	Required
Abort Window Time - for Non-Fire zones [377]>[002], option 1	Access to the programmable delay before communicating alarms Note: Combined entry delay and communications delay (abort window) shall not exceed 60 seconds.	Range: 00 - 45 sec. Default: 30 sees	Required (programmable)
Abort Annunciation	An audible tone is generated when an alarm is aborted during the abort window.	Hard-coded ON	Required
Duress Feature [*][5]> master code> user 2-95> 5> 2	When this feature is enabled, selected user codes send a duress reporting code to the central station when used to perform any function on the system. Section [019], option [6] must be enabled.	Default: N	Required
Cancel Window [377]>[002], option 6	Access to the communications cancel window. Minimum duration must be 5 minutes.	Range: 005-255 Default: 005	
Cancel Annunciation [308]>[001], option 8	Access to the reporting code for Alarm Canceled.	A Cancel was transmitted Default: Enabled	Required
Cross Zoning [042]>Selection 3, option 002	Enables cross zoning for entire system. Zones can be enabled for cross zoning via zone attribute option 8 in sections [002][101] - [128].	Programming required Default: Disabled	Required
Burglary Verification Timer [005]>[000], option 3	Access to the programmable Cross Zone timer.	Range: 000-255 sec. Default: 60 seconds	Allowed
Swinger Shutdown for Alarms [377]>[001], option 1	Access to the swinger shutdown limit for zone alarms For all non-fire zones, shut down at 1 to 6 trips.	Default: 2 trips	Required (programmable)
Swinger Shutdown Enable [002]>[001] - [128], option 6 ON	Access to swinger shutdown, transmission delay and cross zone attributes. Zone attribute option 6 (Swinger Shutdown enabled) is ON.	Non-police response zones Default: Enabled	Allowed
24-Hr. Auto-verified Fire [001]>[001]-[128], Zone type 025 ON	Access to 24-Hr. Auto-verified Fire Activates if Not restored within the specified time.	Must choose zone type for application	Required
Call Waiting Cancel [382], option 4 OFF	Access to the dialing sequence used to disable call waiting. Call waiting string can be programmed in [304]	Depends on user phone line Default: Disabled	Required
System Test: [*][6] Master Code, option 04	The system activates all keypad sounders, bells or sirens for 2 seconds and all keypad lights turn on. Refer to user manual (part no. 29008365).		
Walk Test Mode: [*][8][Installer code][901]	This mode is used to test each zone on the system for proper functionality.		
Walk Test Communications [382], option 2	Enables communication of zone alarms while walk test is active.	Default: Disabled	
Walk Test Start/ End Reporting Codes [308][401], options 1 and 2	Access to the reporting codes for walk test start and end times.		

Limited Warranty

Digital Security Controls warrants the original purchaser that for a period of twelve months from the date of purchase, the product shall be free of defects in materials and workmanship under normal use. During the warranty period, Digital Security Controls shall, at its option, repair or replace any defective product upon return of the product to its factory, at no charge for labour and materials. Any replacement and/or repaired parts are warranted for the remainder of the original warranty or ninety (90) days, whichever is longer. The original purchaser must promptly notify Digital Security Controls in writing that there is defect in material or workmanship, such written notice to be received in all events prior to expiration of the warranty period. There is absolutely no warranty on software and all software products are sold as a user license under the terms of the software license agreement included with the product. The Customer assumes all responsibility for the proper selection, installation, operation and maintenance of any products purchased from DSC. Custom products are only warranted to the extent that they do not function upon delivery. In such cases, DSC can replace or credit at its option.

International Warranty

The warranty for international customers is the same as for any customer within Canada and the United States, with the exception that Digital Security Controls shall not be responsible for any customs fees, taxes, or VAT that may be due.

Warranty Procedure

To obtain service under this warranty, please return the item(s) in question to the point of purchase. All authorized distributors and dealers have a warranty program. Anyone returning goods to Digital Security Controls must first obtain an authorization number. Digital Security Controls will not accept any shipment whatsoever for which prior authorization has not been obtained.

Conditions to Void Warranty

This warranty applies only to defects in parts and workmanship relating to normal use. It does not cover:

- damage incurred in shipping or handling;
- damage caused by disaster such as fire, flood, wind, earthquake or lightning;
- damage due to causes beyond the control of Digital Security Controls such as excessive voltage, mechanical shock or water damage;
- damage caused by unauthorized attachment, alterations, modifications or foreign objects;
- damage caused by peripherals (unless such peripherals were supplied by Digital Security Controls Ltd.);
- defects caused by failure to provide a suitable installation environment for the products;
- damage caused by use of the products for purposes other than those for which it was designed;
- damage from improper maintenance;
- damage arising out of any other abuse, mishandling or improper application of the products.

Items Not Covered by Warranty

In addition to the items which void the Warranty, the following items shall not be covered by Warranty: (i) freight cost to the repair centre; (ii) products which are not identified with DSC's product label and lot number or serial number; (iii) products disassembled or repaired in such a manner as to adversely affect performance or prevent adequate inspection or testing to verify any warranty claim. Access cards or tags returned for replacement under warranty will be credited or replaced at DSC's option. Products not covered by this warranty, or otherwise out of warranty due to age, misuse, or damage shall be evaluated, and a repair estimate shall be provided. No repair work will be performed until a valid purchase order is received from the Customer and a Return Merchandise Authorization number (RMA) is issued by DSC's Customer Service.

Digital Security Controls Ltd.'s liability for failure to repair the product under this warranty after a reasonable number of attempts will be limited to a replacement of the product, as the exclusive remedy for breach of warranty. Under no circumstances shall Digital Security Controls be liable for any special, incidental, or consequential damages based upon breach of warranty, breach of contract, negligence, strict liability, or any other legal theory. Such damages include, but are not limited to, loss of profits, loss of the product or any associated equipment, cost of capital, cost of substitute or replacement equipment, facilities or services, down time, purchaser's time, the claims of third parties, including customers, and injury to property. The laws of some jurisdictions limit or do not allow the disclaimer of consequential damages. If the laws of such a jurisdiction apply to any claim by or against DSC, the limitations and disclaimers contained here shall be to the greatest extent permitted by law. Some states do not allow the exclusion or limitation of incidental or consequential damages, so that the above may not apply to you.

Disclaimer of Warranties

This warranty contains the entire warranty and shall be in lieu of any and all other warranties, whether expressed or implied (including all implied warranties of merchantability or fitness for a particular purpose) and of all other obligations or liabilities on the part of Digital Security Controls. Digital Security Controls neither assumes responsibility for, nor authorizes any other person purporting to act on its behalf to modify or to change this warranty, nor to assume for it any other warranty or liability concerning this product. This disclaimer of warranties and limited warranty are governed by the laws of the province of Ontario, Canada.

WARNING: Digital Security Controls recommends that the entire system be completely tested on a regular basis. However, despite frequent testing, and due to, but not limited to, criminal tampering or electrical disruption, it is possible for this product to fail to perform as expected.

Out of Warranty Repairs

Digital Security Controls will at its option repair or replace out-of-warranty products which are returned to its factory according to the following conditions. Anyone returning goods to Digital Security Controls must first obtain an authorization number. Digital Security Controls will not accept any shipment whatsoever for which prior authorization has not been obtained.

Products which Digital Security Controls determines to be repairable will be repaired and returned. A set fee which Digital Security Controls has predetermined and which may be revised from time to time, will be charged for each unit repaired.

Products which Digital Security Controls determines not to be repairable will be replaced by the nearest equivalent product available at that time. The current market price of the replacement product will be charged for each replacement unit.

WARNING - READ CAREFULLY

Note to Installers

This warning contains vital information. As the only individual in contact with system users, it is your responsibility to bring each item in this warning to the attention of the users of this system.

System Failures

This system has been carefully designed to be as effective as possible. There are circumstances, however, involving fire, burglary, or other types of emergencies where it may not provide protection. Any alarm system of any type may be compromised deliberately or may fail to operate as expected for a variety of reasons. Some but not all of these reasons may be:

Inadequate Installation

A security system must be installed properly in order to provide adequate protection. Every installation should be evaluated by a security professional to ensure that all access points and areas are covered. Locks and latches on windows and doors must be secure and operate as intended. Windows, doors, walls, ceilings and other building materials must be of sufficient strength and construction to provide the level of protection expected. A reevaluation must be done during and after any construction activity. An evaluation by the fire and/or police department is highly recommended if this service is available.

Criminal Knowledge

This system contains security features which were known to be effective at the time of manufacture. It is possible for persons with criminal intent to develop techniques which reduce the effectiveness of these features. It is important that a security system be reviewed periodically to ensure that its features remain effective and that it be updated or replaced if it is found that it does not provide the protection expected.

Access by Intruders

Intruders may enter through an unprotected access point, circumvent a sensing device, evade detection by moving through an area of insufficient coverage, disconnect a warning device, or interfere with or prevent the proper operation of the system.

Power Failure

Control units, intrusion detectors, smoke detectors and many other security devices require an adequate power supply for proper operation. If a device operates from batteries, it is possible for the batteries to fail. Even if the batteries have not failed, they must be charged, in good condition and installed correctly. If a device operates only by AC power, any interruption, however brief, will render that device inoperative while it does not have power. Power interruptions of any length are often accompanied by voltage fluctuations which may damage electronic equipment such as a security system. After a power interruption has occurred, immediately conduct a complete system test to ensure that the system operates as intended.

Failure of Replaceable Batteries

This system's wireless transmitters have been designed to provide several years of battery life under normal conditions. The expected battery life is a function of the device

environment, usage and type. Ambient conditions such as high humidity, high or low temperatures, or large temperature fluctuations may reduce the expected battery life. While each transmitting device has a low battery monitor which identifies when the batteries need to be replaced, this monitor may fail to operate as expected. Regular testing and maintenance will keep the system in good operating condition.

Compromise of Radio Frequency (Wireless) Devices

Signals may not reach the receiver under all circumstances which could include metal objects placed on or near the radio path or deliberate jamming or other inadvertent radio signal interference.

System Users

A user may not be able to operate a panic or emergency switch possibly due to permanent or temporary physical disability, inability to reach the device in time, or unfamiliarity with the correct operation. It is important that all system users be trained in the correct operation of the alarm system and that they know how to respond when the system indicates an alarm.

Smoke Detectors

Smoke detectors that are a part of this system may not properly alert occupants of a fire for a number of reasons, some of which follow. The smoke detectors may have been improperly installed or positioned. Smoke may not be able to reach the smoke detectors, such as when the fire is in a chimney, walls or roofs, or on the other side of closed doors. Smoke detectors may not detect smoke from fires on another level of the residence or building.

Every fire is different in the amount of smoke produced and the rate of burning. Smoke detectors cannot sense all types of fires equally well. Smoke detectors may not provide timely warning of fires caused by carelessness or safety hazards such as smoking in bed, violent explosions, escaping gas, improper storage of flammable materials, overloaded electrical circuits, children playing with matches or arson.

Even if the smoke detector operates as intended, there may be circumstances when there is insufficient warning to allow all occupants to escape in time to avoid injury or death.

Motion Detectors

Motion detectors can only detect motion within the designated areas as shown in their respective installation instructions. They cannot discriminate between intruders and intended occupants. Motion detectors do not provide volumetric area protection. They have multiple beams of detection and motion can only be detected in unobstructed areas covered by these beams. They cannot detect motion which occurs behind walls, ceilings, floor, closed doors, glass partitions, glass doors or windows. Any type of tampering whether intentional or unintentional such as masking, painting, or spraying of any material on the lenses, mirrors, windows or any other part of the detection system will impair its proper operation.

Passive infrared motion detectors operate by sensing changes in temperature. However their effectiveness can be reduced when the ambient temperature rises near or above body temperature or if there are intentional or unintentional sources of heat in or near the detection area. Some of these heat sources could be heaters, radiators, stoves, barbecues, fireplaces, sunlight, steam vents, lighting and so on.

Warning Devices

Warning devices such as sirens, bells, horns, or strobes may not warn people or waken someone sleeping if there is an intervening wall or door. If warning devices are located on a different level of the residence or premise, then it is less likely that the occupants will be alerted or awakened. Audible warning devices may be interfered with by other noise sources such as stereos, radios, televisions, air conditioners or other appliances, or passing traffic. Audible warning devices, however loud, may not be heard by a hearing-impaired person.

Telephone Lines

If telephone lines are used to transmit alarms, they may be out of service or busy for certain periods of time. Also an intruder may cut the telephone line or defeat its operation by more sophisticated means which may be difficult to detect.

Insufficient Time

There may be circumstances when the system will operate as intended, yet the occupants will not be protected from the emergency due to their inability to respond to the warnings in a timely manner. If the system is monitored, the response may not occur in time to protect the occupants or their belongings.

Component Failure

Although every effort has been made to make this system as reliable as possible, the system may fail to function as intended due to the failure of a component.

Inadequate Testing

Most problems that would prevent an alarm system from operating as intended can be found by regular testing and maintenance. The complete system should be tested weekly and immediately after a break-in, an attempted break-in, a fire, a storm, an earthquake, an accident, or any kind of construction activity inside or outside the premises. The testing

should include all sensing devices, keypads, consoles, alarm indicating devices and any other operational devices that are part of the system.

Security and Insurance

Regardless of its capabilities, an alarm system is not a substitute for property or life insurance. An alarm system also is not a substitute for property owners, renters, or other occupants to act prudently to prevent or minimize the harmful effects of an emergency situation.

IMPORTANT - READ CAREFULLY: DSC Software purchased with or without Products and Components is copyrighted and is purchased under the following license terms:

This End-User License Agreement ("EULA") is a legal agreement between You (the company, individual or entity who acquired the Software and any related Hardware) and Digital Security Controls, a division of Tyco Safety Products Canada Ltd. ("DSC"), the manufacturer of the integrated security systems and the developer of the software and any related products or components ("HARDWARE") which You acquired.

If the DSC software product ("SOFTWARE PRODUCT" or "SOFTWARE") is intended to be accompanied by HARDWARE, and is NOT accompanied by new HARDWARE, You may not use, copy or install the SOFTWARE PRODUCT. The SOFTWARE PRODUCT includes computer software, and may include associated media, printed materials, and "online" or electronic documentation.

Any software provided along with the SOFTWARE PRODUCT that is associated with a separate end-user license agreement is licensed to You under the terms of that license agreement.

By installing, copying, downloading, storing, accessing or otherwise using the SOFTWARE PRODUCT, You agree unconditionally to be bound by the terms of this EULA, even if this EULA is deemed to be a modification of any previous arrangement or contract. If You do not agree to the terms of this EULA, DSC is unwilling to license the SOFTWARE PRODUCT to You, and You have no right to use it.

SOFTWARE PRODUCT LICENSE

The SOFTWARE PRODUCT is protected by copyright laws and international copyright treaties, as well as other intellectual property laws and treaties. The SOFTWARE PRODUCT is licensed, not sold.

1. GRANT OF LICENSE This EULA grants You the following rights:

- (a) Software Installation and Use - For each license You acquire, You may have only one copy of the SOFTWARE PRODUCT installed.
- (b) Storage/Network Use - The SOFTWARE PRODUCT may not be installed, accessed, displayed, run, shared or used concurrently on or from different computers, including a workstation, terminal or other digital electronic device ("Device"). In other words, if You have several workstations, You will have to acquire a license for each workstation where the SOFTWARE will be used.
- (c) Backup Copy - You may make back-up copies of the SOFTWARE PRODUCT, but You may only have one copy per license installed at any given time. You may use the back-up copy solely for archival purposes. Except as expressly provided in this EULA, You may not otherwise make copies of the SOFTWARE PRODUCT, including the printed materials accompanying the SOFTWARE.

2. DESCRIPTION OF OTHER RIGHTS AND LIMITATIONS

- (a) Limitations on Reverse Engineering, Decompilation and Disassembly - You may not reverse engineer, decompile, or disassemble the SOFTWARE PRODUCT, except and only to the extent that such activity is expressly permitted by applicable law notwithstanding this limitation. You may not make any changes or modifications to the Software, without the written permission of an officer of DSC. You may not remove any proprietary notices, marks or labels from the Software Product. You shall institute reasonable measures to ensure compliance with the terms and conditions of this EULA.
- (b) Separation of Components - The SOFTWARE PRODUCT is licensed as a single product. Its component parts may not be separated for use on more than one HARDWARE unit.
- (c) Single INTEGRATED PRODUCT - If You acquired this SOFTWARE with HARDWARE, then the SOFTWARE PRODUCT is licensed with the HARDWARE as a single integrated product. In this case, the SOFTWARE PRODUCT may only be used with the HARDWARE as set forth in this EULA.
- (d) Rental - You may not rent, lease or lend the SOFTWARE PRODUCT. You may not make it available to others or post it on a server or web site.
- (e) Software Product Transfer - You may transfer all of Your rights under this EULA only as part of a permanent sale or transfer of the HARDWARE, provided You retain no copies, You transfer all of the SOFTWARE PRODUCT (including all component parts, the media and printed materials, any upgrades and this EULA), and provided the recipient agrees to the terms of this EULA. If the SOFTWARE PRODUCT is an upgrade, any transfer must also include all prior versions of the SOFTWARE PRODUCT.
- (f) Termination - Without prejudice to any other rights, DSC may terminate this EULA if You fail to comply with the terms and conditions of this EULA. In such event, You must destroy all copies of the SOFTWARE PRODUCT and all of its component parts.
- (g) Trademarks - This EULA does not grant You any rights in connection with any trademarks or service marks of DSC or its suppliers.

3. COPYRIGHT - All title and intellectual property rights in and to the SOFTWARE PRODUCT (including but not limited to any images, photographs, and text incorporated into the SOFTWARE PRODUCT), the accompanying printed materials, and any copies of the SOFTWARE PRODUCT, are owned by DSC or its suppliers. You may not copy the printed materials accompanying the SOFTWARE PRODUCT. All title and intellectual property rights in and to the content which may be accessed through use of the SOFTWARE PRODUCT are the property of the respective content owner and may be protected by applicable copyright or other intellectual property laws and treaties. This EULA grants You no rights to use such content. All rights not expressly granted under this EULA are reserved by DSC and its suppliers.

4. EXPORT RESTRICTIONS - You agree that You will not export or re-export the SOFTWARE PRODUCT to any country, person, or entity subject to Canadian export restrictions.

5. CHOICE OF LAW - This Software License Agreement is governed by the laws of the Province of Ontario, Canada.

6. ARBITRATION - All disputes arising in connection with this Agreement shall be determined by final and binding arbitration in accordance with the Arbitration Act, and the parties agree to be bound by the arbitrator's decision. The place of arbitration shall be Toronto, Canada, and the installation manual of the arbitration shall be English.

7. LIMITED WARRANTY

- (a) NO WARRANTY - DSC PROVIDES THE SOFTWARE "AS IS" WITHOUT WARRANTY. DSC DOES NOT WARRANT THAT THE SOFTWARE WILL MEET YOUR REQUIREMENTS OR THAT OPERATION OF THE SOFTWARE WILL BE UNINTERRUPTED OR ERROR-FREE.
- (b) CHANGES IN OPERATING ENVIRONMENT - DSC shall not be responsible for problems caused by changes in the operating characteristics of the HARDWARE, or for problems in the interaction of the SOFTWARE PRODUCT with non-DSC SOFTWARE or HARDWARE PRODUCTS.
- (c) LIMITATION OF LIABILITY; WARRANTY REFLECTS ALLOCATION OF RISK - IN ANY EVENT, IF ANY STATUTE IMPLIES WARRANTIES OR CONDITIONS NOT STATED IN THIS LICENSE AGREEMENT, DSC'S ENTIRE LIABILITY UNDER ANY PROVISION OF THIS LICENSE AGREEMENT SHALL BE LIMITED TO THE GREATER OF THE AMOUNT ACTUALLY PAID BY YOU TO LICENSE THE SOFTWARE PRODUCT AND FIVE CANADIAN DOLLARS (CAD\$5.00). BECAUSE SOME JURISDICTIONS DO NOT ALLOW THE EXCLUSION OR LIMITATION OF LIABILITY FOR CONSEQUENTIAL OR INCIDENTAL DAMAGES, THE ABOVE LIMITATION MAY NOT APPLY TO YOU.
- (d) DISCLAIMER OF WARRANTIES - THIS WARRANTY CONTAINS THE ENTIRE WARRANTY AND SHALL BE IN LIEU OF ANY AND ALL OTHER WARRANTIES, WHETHER EXPRESSED OR IMPLIED (INCLUDING ALL IMPLIED WARRANTIES OF MERCHANTABILITY OR FITNESS FOR A PARTICULAR PURPOSE) AND OF ALL OTHER OBLIGATIONS OR LIABILITIES ON THE PART OF DSC. DSC MAKES NO OTHER WARRANTIES. DSC NEITHER ASSUMES NOR AUTHORIZES ANY OTHER PERSON PURPORTING TO ACT ON ITS BEHALF TO MODIFY OR TO CHANGE THIS WARRANTY, NOR TO ASSUME FOR IT ANY OTHER WARRANTY OR LIABILITY CONCERNING THIS SOFTWARE PRODUCT.
- (e) EXCLUSIVE REMEDY AND LIMITATION OF WARRANTY - UNDER NO CIRCUMSTANCES SHALL DSC BE LIABLE FOR ANY SPECIAL, INCIDENTAL, CONSEQUENTIAL OR INDIRECT DAMAGES BASED UPON BREACH OF WARRANTY, BREACH OF CONTRACT, NEGLIGENCE, STRICT LIABILITY, OR ANY OTHER LEGAL THEORY. SUCH DAMAGES INCLUDE, BUT ARE NOT LIMITED TO, LOSS OF PROFITS, LOSS OF THE SOFTWARE

PRODUCT OR ANY ASSOCIATED EQUIPMENT, COST OF CAPITAL, COST OF SUBSTITUTE OR REPLACEMENT EQUIPMENT, FACILITIES OR SERVICES, DOWN TIME, PURCHASERS TIME, THE CLAIMS OF THIRD PARTIES, INCLUDING CUSTOMERS, AND INJURY TO PROPERTY.

WARNING: DSC recommends that the entire system be completely tested on a regular basis. However, despite frequent testing, and due to, but not limited to, criminal tampering or electrical disruption, it is possible for this SOFTWARE PRODUCT to fail to perform as expected.

The trademarks, logos, and service marks displayed on this document are registered in the United States [or other countries]. Any misuse of the trademarks is strictly prohibited and Tyco will aggressively enforce its intellectual property rights to the fullest extent of the law, including pursuit of criminal prosecution wherever necessary. All trademarks not owned by Tyco are the property of their respective owners, and are used with permission or allowed under applicable laws.

Product offerings and specifications are subject to change without notice. Actual products may vary from photos. Not all products include all features. Availability varies by region; contact your sales representative.

DSC

From Tyco Security Products

© 2016 Tyco Security Products

All Rights Reserved.

Tech Support: 1-800-387-3630 (Canada & U.S.)

or 905-760-3000

www.dsc.com



29009526R001