

DIGI PLEX™

SECURITY AND ACCESS CONTROL (DGP-48)

PROGRAMMING GUIDE

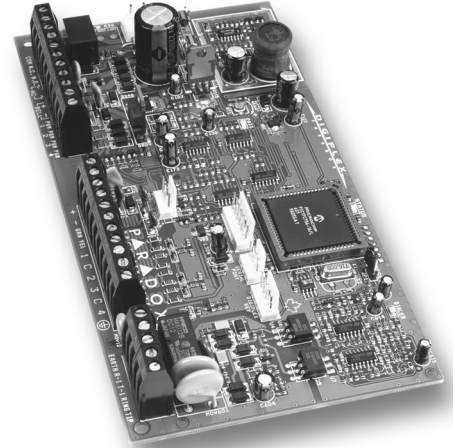
Software Version 3.0

DEFAULT INSTALLER CODE

000000 (see section [800] on page 38)

DEFAULT SYSTEM MASTER CODE

123456



HOW DO I ENTER PROGRAMMING MODE?

- STEP 1: Press and hold the [0] key
- STEP 2: Enter your [INSTALLER CODE]
- STEP 3: Enter 3-digit [SECTION]
- STEP 4: Enter required [DATA]

DECIMAL AND HEXADECIMAL PROGRAMMING TABLE

Key	Value or Action	Key	Value or Action
[0] to [9]	0 to 9 (Hexa & Decimal)	[BYP]	E (Hexa Only)
[STAY]	A (Hexa Only)	[MEM]	F (Hexa Only)
[FORCE]	B (Hexa Only)	[CLEAR]	Exit section without saving (Hexa & Decimal)
[ARM]	C (Hexa Only)	[ENTER]	Save current data and advance to next section (Hexa Only)
[DISARM]	D (Hexa Only)		

TROUBLE DISPLAY

- STEP1: From "normal mode", press the [TRBL] key.
- STEP2: Press the key corresponding to the trouble Group you wish to view.

TROUBLE GROUP [1]: SYSTEM		TROUBLE GROUP [2]: COMMUNICATOR	
[1] AC Failure	[4] Bell Current Limit	[1] TLM	[4] Fail to Com. 3
[2] Battery Trouble	[5] Bell Absent	[2] Fail to Com. 1	[5] Fail to Com. 4
[3] Aux. Current Limit	[6] ROM Check Error	[3] Fail to Com. 2	[6] Fail to Com. PC
TROUBLE GROUP [3]: MODULE TROUBLE		TROUBLE GROUP [4]: BUS TROUBLES	
[1] Module Tamper	[5] Printer Trouble	[1] Missing Keypad	[6] General Failure
[2] Module ROM Check Error	[6] Module AC Failure	[2] Missing Module	[7] Bus Overload
[3] Module TLM Trouble	[7] Module Battery Failure		[8] Bus Com. Error
[4] Module Fail to Com.	[8] Module Supply Output		
TROUBLE GROUP [5]: ZONE TAMPER		TROUBLE GROUP [6]: ZONE LOW BATTERY	
Press the [5] button to display the tampered zone or zones.		Press the [6] button to display the zone(s) assigned to wireless devices with low batteries.	
TROUBLE GROUP [7]: ZONE FAULT		TROUBLE GROUP [8]: CLOCK LOSS	
Press the [7] button to display the zone(s) experiencing a communication, a fire loop or CleanMe™ trouble.		Press the [8] button to re-program the time.	

Table Of Contents

Serial Number List	3
Zone Programming	5
Keyswitch Programming	8
Access Control.....	11
Programmable Outputs.....	14
Other Settings.....	17
System Options	17
Partition 1: Options	19
Partition 2: Options	20
Partition 3: Options	21
Partition 4: Options	22
Dialer Options.....	23
Partition 1: Event Call Direction	24
Partition 2: Event Call Direction	25
Partition 3: Event Call Direction	26
Partition 4: Event Call Direction	27
System Event Call Direction	28
Global Access Control Features	28
Communication Settings	29
Report Codes.....	30
Other Settings and Modes	38
Power Unit Consumption	41
Hardware Connections	42

Serial Number List

All modules connected to the control panel's communication bus have an 8-digit serial number. Remove the extra serial number sticker from the modules' PC board and affix in the appropriate spaces provided below (Max. 95 Modules).

Module Type & Details	Serial #
-----------------------	----------

1: _____

2: _____

3: _____

4: _____

5: _____

6: _____

7: _____

8: _____

9: _____

10: _____

11: _____

12: _____

13: _____

14: _____

15: _____

16: _____

17: _____

18: _____

19: _____

20: _____

21: _____

22: _____

23: _____

Module Type & Details	Serial #
-----------------------	----------

24: _____

25: _____

26: _____

27: _____

28: _____

29: _____

30: _____

31: _____

32: _____

33: _____

34: _____

35: _____

36: _____

37: _____

38: _____

39: _____

40: _____

41: _____

42: _____

43: _____

44: _____

45: _____

46: _____

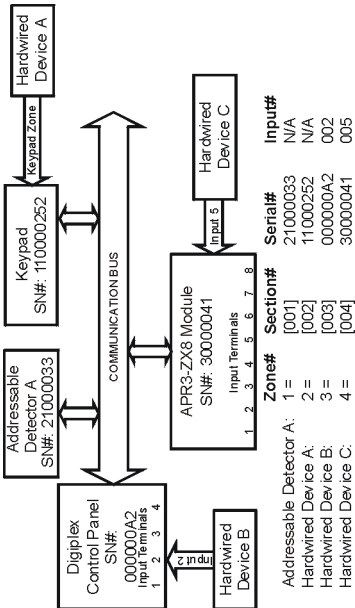
Module Type & Details	Serial #
47:	_____
48:	_____
49:	_____
50:	_____
51:	_____
52:	_____
53:	_____
54:	_____
55:	_____
56:	_____
57:	_____
58:	_____
59:	_____
60:	_____
61:	_____
62:	_____
63:	_____
64:	_____
65:	_____
66:	_____
67:	_____
68:	_____
69:	_____
70:	_____
71:	_____

Module Type & Details	Serial #
72:	_____
73:	_____
74:	_____
75:	_____
76:	_____
77:	_____
78:	_____
79:	_____
80:	_____
81:	_____
82:	_____
83:	_____
84:	_____
85:	_____
86:	_____
87:	_____
88:	_____
89:	_____
90:	_____
91:	_____
92:	_____
93:	_____
94:	_____
95:	_____

Zone Programming

ZONE NUMBERING

Sections [001] to [048] represent zones 1 through 48. This feature tells the control panel where the detection device is connected and which of the 48 zones is assigned to that device.



When option [7] in section [502] is enabled for PGM1 to act as a zone input for two-wire smoke detectors, the control panel will recognize PGM1 as input number 255.



ZONE PARAMETERS

Sections [101] to [148] represent zones 1 through 48. This feature defines the type of zone, its partition assignment and the zone's options.

Zone Definitions

0- Disabled (Default)
 1- Entry Delay 1 8- 24Hr Burglary
 2- Entry Delay 2 9- Delayed 24Hr Fire
 3- Entry Delay 3 A- Standard 24Hr Fire
 4- Entry Delay 4 B- Stay Delay 1
 5- Follow C- Stay Delay 2
 6- Instant D- Stay Delay 3
 7- 24Hr Buzzer E- Stay Delay 4

Zone Partition Assignment

1- Zone Assigned to Partition 1 (Default)
 2- Zone Assigned to Partition 2
 3- Zone Assigned to Partition 3
 4- Zone Assigned to Partition 4

Zone Options

[1] Auto Zone Shutdown Enabled
 [2] Bypass Enabled (Default)
 [3] Stay Zone
 [4] Force Zone
 [5] [6] Zone Alarm Type
 off on Pulsed Alarm
 off on Steady Alarm
 on on Silent Alarm
 on on Report Only
 [7] Intellizone
 [8] Delay before transmission

Zone	Description	Module	Section	8-digit Serial Number	Input#	Section	Define	Assign	Zone Options
1			[001]	____/____/____/____/____/____	____/____/____/____	[101]	_____	_____	1 2 3 4 5 6 7 8
2			[002]	____/____/____/____/____/____	____/____/____/____	[102]	_____	_____	1 2 3 4 5 6 7 8
3			[003]	____/____/____/____/____/____	____/____/____/____	[103]	_____	_____	1 2 3 4 5 6 7 8
4			[004]	____/____/____/____/____/____	____/____/____/____	[104]	_____	_____	1 2 3 4 5 6 7 8
5			[005]	____/____/____/____/____/____	____/____/____/____	[105]	_____	_____	1 2 3 4 5 6 7 8
6			[006]	____/____/____/____/____/____	____/____/____/____	[106]	_____	_____	1 2 3 4 5 6 7 8
7			[007]	____/____/____/____/____/____	____/____/____/____	[107]	_____	_____	1 2 3 4 5 6 7 8
8			[008]	____/____/____/____/____/____	____/____/____/____	[108]	_____	_____	1 2 3 4 5 6 7 8
9			[009]	____/____/____/____/____/____	____/____/____/____	[109]	_____	_____	1 2 3 4 5 6 7 8
10			[010]	____/____/____/____/____/____	____/____/____/____	[110]	_____	_____	1 2 3 4 5 6 7 8
11			[011]	____/____/____/____/____/____	____/____/____/____	[111]	_____	_____	1 2 3 4 5 6 7 8
12			[012]	____/____/____/____/____/____	____/____/____/____	[112]	_____	_____	1 2 3 4 5 6 7 8

Zone	Description	Module	Section	8-digit Serial Number	In put#	Section	Define	Assign	Zone Options
13			[013]	____/____/____/____/____/____/____/____	____/____/____	[113]	____	____	1 2 3 4 5 6 7 8
14			[014]	____/____/____/____/____/____/____/____	____/____/____	[114]	____	____	1 2 3 4 5 6 7 8
15			[015]	____/____/____/____/____/____/____/____	____/____/____	[115]	____	____	1 2 3 4 5 6 7 8
16			[016]	____/____/____/____/____/____/____/____	____/____/____	[116]	____	____	1 2 3 4 5 6 7 8
17			[017]	____/____/____/____/____/____/____/____	____/____/____	[117]	____	____	1 2 3 4 5 6 7 8
18			[018]	____/____/____/____/____/____/____/____	____/____/____	[118]	____	____	1 2 3 4 5 6 7 8
19			[019]	____/____/____/____/____/____/____/____	____/____/____	[119]	____	____	1 2 3 4 5 6 7 8
20			[020]	____/____/____/____/____/____/____/____	____/____/____	[120]	____	____	1 2 3 4 5 6 7 8
21			[021]	____/____/____/____/____/____/____/____	____/____/____	[121]	____	____	1 2 3 4 5 6 7 8
22			[022]	____/____/____/____/____/____/____/____	____/____/____	[122]	____	____	1 2 3 4 5 6 7 8
23			[023]	____/____/____/____/____/____/____/____	____/____/____	[123]	____	____	1 2 3 4 5 6 7 8
24			[024]	____/____/____/____/____/____/____/____	____/____/____	[124]	____	____	1 2 3 4 5 6 7 8
25			[025]	____/____/____/____/____/____/____/____	____/____/____	[125]	____	____	1 2 3 4 5 6 7 8
26			[026]	____/____/____/____/____/____/____/____	____/____/____	[126]	____	____	1 2 3 4 5 6 7 8
27			[027]	____/____/____/____/____/____/____/____	____/____/____	[127]	____	____	1 2 3 4 5 6 7 8
28			[028]	____/____/____/____/____/____/____/____	____/____/____	[128]	____	____	1 2 3 4 5 6 7 8
29			[029]	____/____/____/____/____/____/____/____	____/____/____	[129]	____	____	1 2 3 4 5 6 7 8
30			[030]	____/____/____/____/____/____/____/____	____/____/____	[130]	____	____	1 2 3 4 5 6 7 8
31			[031]	____/____/____/____/____/____/____/____	____/____/____	[131]	____	____	1 2 3 4 5 6 7 8
32			[032]	____/____/____/____/____/____/____/____	____/____/____	[132]	____	____	1 2 3 4 5 6 7 8
33			[033]	____/____/____/____/____/____/____/____	____/____/____	[133]	____	____	1 2 3 4 5 6 7 8
34			[034]	____/____/____/____/____/____/____/____	____/____/____	[134]	____	____	1 2 3 4 5 6 7 8

Zone	Description	Module	Section	8-digit Serial Number	Input#	Section	Define	Assign	Zone Options
35			[035]	/ / / / / / / /	/ / /	[135]			1 2 3 4 5 6 7 8
36			[036]	/ / / / / / / /	/ / /	[136]			1 2 3 4 5 6 7 8
37			[037]	/ / / / / / / /	/ / /	[137]			1 2 3 4 5 6 7 8
38			[038]	/ / / / / / / /	/ / /	[138]			1 2 3 4 5 6 7 8
39			[039]	/ / / / / / / /	/ / /	[139]			1 2 3 4 5 6 7 8
40			[040]	/ / / / / / / /	/ / /	[140]			1 2 3 4 5 6 7 8
41			[041]	/ / / / / / / /	/ / /	[141]			1 2 3 4 5 6 7 8
42			[042]	/ / / / / / / /	/ / /	[142]			1 2 3 4 5 6 7 8
43			[043]	/ / / / / / / /	/ / /	[143]			1 2 3 4 5 6 7 8
44			[044]	/ / / / / / / /	/ / /	[144]			1 2 3 4 5 6 7 8
45			[045]	/ / / / / / / /	/ / /	[145]			1 2 3 4 5 6 7 8
46			[046]	/ / / / / / / /	/ / /	[146]			1 2 3 4 5 6 7 8
47			[047]	/ / / / / / / /	/ / /	[147]			1 2 3 4 5 6 7 8
48			[048]	/ / / / / / / /	/ / /	[148]			1 2 3 4 5 6 7 8



- To clear a zone's numbering (sections [001] to [048]):
1. Enter the desired zone's [SECTION] ([001] to [048])
 2. Press the [CLEAR] button to delete the detection device's 8-digit serial number
 3. Use the [▲] button to scroll to the detection device's 3-digit input number and press the [CLEAR] button
 4. Press the [ENTER] button to save and exit the section

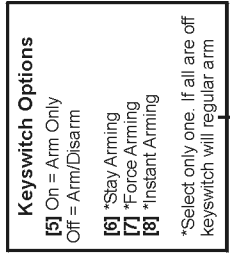
Keyswitch Programming

KEYSWITCH NUMBERING

Sections [049] to [056] represent keyswitches 1 to 8 respectively. This feature tells the control panel where the keyswitch is connected and which of the 8 keyswitch locations is assigned to that device.

Enter 3-digit [INPUT NUMBER] of the Module to which the keyswitch is connected.

Enter 8-digit [SERIAL NUMBER] of the Module to which the keyswitch is connected.



Keyswitch	Location	Module	Section	8-digit Serial Number	Input#	Section	Define	Assign	Keyswitch Options
1	_____	_____	[049]	___/___/___/___/___/___/___/___	___/___/___	[149]	___	___	5 6 7 8
2	_____	_____	[050]	___/___/___/___/___/___/___/___	___/___/___	[150]	___	___	5 6 7 8
3	_____	_____	[051]	___/___/___/___/___/___/___/___	___/___/___	[151]	___	___	5 6 7 8
4	_____	_____	[052]	___/___/___/___/___/___/___/___	___/___/___	[152]	___	___	5 6 7 8
5	_____	_____	[053]	___/___/___/___/___/___/___/___	___/___/___	[153]	___	___	5 6 7 8
6	_____	_____	[054]	___/___/___/___/___/___/___/___	___/___/___	[154]	___	___	5 6 7 8
7	_____	_____	[055]	___/___/___/___/___/___/___/___	___/___/___	[155]	___	___	5 6 7 8
8	_____	_____	[056]	___/___/___/___/___/___/___/___	___/___/___	[156]	___	___	5 6 7 8

SYSTEM TIMERS

Section #	Decimal Value (000 to 255)	Description	Default
[200]	___/___/___ seconds (min. = 10sec.)	INTELLIZONE DELAY	10sec.
[201]	___/___/___ x 20 msec.	INPUT SPEED 001=PANEL TERMINAL 1	600 msec.
[202]	___/___/___ x 20 msec.	INPUT SPEED 002=PANEL TERMINAL 2	600 msec.
[203]	___/___/___ x 20 msec.	INPUT SPEED 003=PANEL TERMINAL 3	600 msec.
[204]	___/___/___ x 20 msec.	INPUT SPEED 004=PANEL TERMINAL 4	600 msec.
[205]	___/___/___ x 20 msec.	INPUT SPEED 005=PANEL DOUBLER 1	600 msec.
[206]	___/___/___ x 20 msec.	INPUT SPEED 006=PANEL DOUBLER 2	600 msec.
[207]	___/___/___ x 20 msec.	INPUT SPEED 007=PANEL DOUBLER 3	600 msec.
[208]	___/___/___ x 20 msec.	INPUT SPEED 008=PANEL DOUBLER 4	600 msec.
[209]	___/___/___ x 20 msec.	INPUT SPEED 009=ZX4 TERMINAL 1	600 msec.
[210]	___/___/___ x 20 msec.	INPUT SPEED 010=ZX4 TERMINAL 2	600 msec.
[211]	___/___/___ x 20 msec.	INPUT SPEED 011=ZX4 TERMINAL 3	600 msec.
[212]	___/___/___ x 20 msec.	INPUT SPEED 012=ZX4 TERMINAL 4	600 msec.
[213]	___/___/___ x 20 msec.	INPUT SPEED 013=ZX4 DOUBLER 1	600 msec.
[214]	___/___/___ x 20 msec.	INPUT SPEED 014=ZX4 DOUBLER 2	600 msec.
[215]	___/___/___ x 20 msec.	INPUT SPEED 015=ZX4 DOUBLER 3	600 msec.
[216]	___/___/___ x 20 msec.	INPUT SPEED 016=ZX4 DOUBLER 4	600 msec.
[217]	___/___/___ (max.=15)	AUTO ZONE SHUTDOWN	Disabled
[218]	___/___/___ (max.=15)	AUTO TROUBLE SHUTDOWN	Disabled
[219]	___/___/___ seconds	RECENT CLOSING DELAY	Disabled
[220]	___/___/___ tries	# OF INVALID CODE BEFORE LOCKOUT	Disabled
[221]	___/___/___ minutes (000 = report only)	KEYPAD LOCKOUT DURATION	Report Only
[222]	___/___/___ x15 minutes	NO MOVEMENT TIMER PARTITION 1	Disabled
[223]	___/___/___ x15 minutes	NO MOVEMENT TIMER PARTITION 2	Disabled
[224]	___/___/___ x15 minutes	NO MOVEMENT TIMER PARTITION 3	Disabled
[225]	___/___/___ x15 minutes	NO MOVEMENT TIMER PARTITION 4	Disabled
[226]	___/___/___ seconds	EXIT DELAY PARTITION 1	60 sec.
[227]	___/___/___ seconds	EXIT DELAY PARTITION 2	60 sec.
[228]	___/___/___ seconds	EXIT DELAY PARTITION 3	60 sec.
[229]	___/___/___ seconds	EXIT DELAY PARTITION 4	60 sec.
[230]	___/___/___ seconds	ENTRY/STAY DELAY 1	30 sec.
[231]	___/___/___ seconds	ENTRY/STAY DELAY 2	60 sec.
[232]	___/___/___ seconds	ENTRY/STAY DELAY 3	90 sec.
[233]	___/___/___ seconds	ENTRY/STAY DELAY 4	120 sec.
[234]	___/___/___ minutes	BELL CUT-OFF TIMER PARTITION 1	4 min.
[235]	___/___/___ minutes	BELL CUT-OFF TIMER PARTITION 2	4 min.
[236]	___/___/___ minutes	BELL CUT-OFF TIMER PARTITION 3	4 min.
[237]	___/___/___ minutes	BELL CUT-OFF TIMER PARTITION 4	4 min.

Section #	Decimal Value (000 to 255)	Description	Default
[238]	___/___/___ zone(s)	MAX. BYPASS ENTRIES PARTITION 1	<i>Unlimited</i>
[239]	___/___/___ zone(s)	MAX. BYPASS ENTRIES PARTITION 2	<i>Unlimited</i>
[240]	___/___/___ zone(s)	MAX. BYPASS ENTRIES PARTITION 3	<i>Unlimited</i>
[241]	___/___/___ zone(s)	MAX. BYPASS ENTRIES PARTITION 4	<i>Unlimited</i>
[242]	___/___/___ minutes	RECYCLE DELAY PARTITION 1	<i>Disabled</i>
[243]	___/___/___ minutes	RECYCLE DELAY PARTITION 2	<i>Disabled</i>
[244]	___/___/___ minutes	RECYCLE DELAY PARTITION 3	<i>Disabled</i>
[245]	___/___/___ minutes	RECYCLE DELAY PARTITION 4	<i>Disabled</i>
[246]	___/___/___ recycle(s)	# OF RECYCLES PARTITION 1	<i>Unlimited</i>
[247]	___/___/___ recycle(s)	# OF RECYCLES PARTITION 2	<i>Unlimited</i>
[248]	___/___/___ recycle(s)	# OF RECYCLES PARTITION 3	<i>Unlimited</i>
[249]	___/___/___ recycle(s)	# OF RECYCLES PARTITION 4	<i>Unlimited</i>
[250]	___/___/___ see section [503]	PGM1 DELAY	<i>5 sec.</i>
[251]	___/___/___ see section [503]	PGM2 DELAY	<i>5 sec.</i>
[252]	___/___/___ see section [503]	PGM3 DELAY	<i>5 sec.</i>
[253]	___/___/___ see section [503]	PGM4 DELAY	<i>5 sec.</i>
[254]	___/___/___ see section [503]	PGM5 DELAY	<i>5 sec.</i>
[255]	___/___/___ x2 sec. (min. = 32sec.)	TLM FAIL TIMER	<i>32 sec.</i>
[256]	___/___/___ seconds	DELAY ALARM TRANSMISSION TIMER	<i>Instant</i>
[257]	___/___/___ attempts	MAXIMUM DIALING ATTEMPTS	<i>8 attempts</i>
[258]	___/___/___ seconds	DELAY BETWEEN DIALING ATTEMPTS	<i>20 sec.</i>
[259]	___/___/___ seconds (max. 60 sec.)	PAGER DELAY BEFORE DATA TRANSMISSION	<i>Disabled</i>
[260]	___/___/___ minutes	DELAY POWER FAILURE REPORT	<i>30 min.</i>
[261]	___/___/___ days	AUTO TEST REPORT	<i>Disabled</i>
Hours (00 to 23) & Minutes (00 to 59)			
[270]	___/___:___/___	AUTO TEST REPORT TIME OF DAY	
[271]	___/___:___/___	AUTO ARM TIME PARTITION 1	
[272]	___/___:___/___	AUTO ARM TIME PARTITION 2	
[273]	___/___:___/___	AUTO ARM TIME PARTITION 3	
[274]	___/___:___/___	AUTO ARM TIME PARTITION 4	

Access Control

ASSIGNING THE DOOR TO AN ACCESS CONTROL MODULE

These doors are used to program the Access Level in sections [341] to [355]. If you want an Access door to be linked to the alarm system, install a door contact and assign it to a zone through *Zone Programming*.

Section	Door	Description	Access Module Serial Number
[301]	01		/ / / / / / / /
[302]	02		/ / / / / / / /
[303]	03		/ / / / / / / /
[304]	04		/ / / / / / / /
[305]	05		/ / / / / / / /
[306]	06		/ / / / / / / /
[307]	07		/ / / / / / / /
[308]	08		/ / / / / / / /
[309]	09		/ / / / / / / /
[310]	10		/ / / / / / / /
[311]	11		/ / / / / / / /
[312]	12		/ / / / / / / /
[313]	13		/ / / / / / / /
[314]	14		/ / / / / / / /
[315]	15		/ / / / / / / /
[316]	16		/ / / / / / / /
[317]	17		/ / / / / / / /
[318]	18		/ / / / / / / /
[319]	19		/ / / / / / / /
[320]	20		/ / / / / / / /
[321]	21		/ / / / / / / /
[322]	22		/ / / / / / / /
[323]	23		/ / / / / / / /
[324]	24		/ / / / / / / /
[325]	25		/ / / / / / / /
[326]	26		/ / / / / / / /
[327]	27		/ / / / / / / /
[328]	28		/ / / / / / / /
[329]	29		/ / / / / / / /
[330]	30		/ / / / / / / /
[331]	31		/ / / / / / / /
[332]	32		/ / / / / / / /

DOOR ACCESS MODE

Each door can be programmed to grant access only to cards assigned to all the door's assigned partitions ("AND" Door Access Mode) or to cards assigned to at least one of the door's partitions ("OR" Door Access Mode). Enable the option corresponding to the door to be set in "OR" Door Access Mode. Options that remain disabled represent doors set in the "AND" Door Access Mode.

Section	Door Access Mode (turn ON for "OR" Door Access Mode):			
	First Screen Doors 01 to 08	Second Screen Doors 09 to 16	Third Screen Doors 17 to 24	Fourth Screen Doors 25 to 32
[340]	1 2 3 4 5 6 7 8	1 2 3 4 5 6 7 8	1 2 3 4 5 6 7 8	1 2 3 4 5 6 7 8

PROGRAMMING ACCESS LEVELS

Each Access Level is a combination of Access Control doors. Use *Feature Select Programming* to enable or disable options. For example, if option [1] in the First Screen is enabled in section [341], Level 01 will allow access only to Door 01. Access Level 00 = access to all doors.

Section	Level	Access to Doors (turn ON or OFF access):			
		First Screen Doors 01 to 08	Second Screen Doors 09 to 16	Third Screen Doors 17 to 24	Fourth Screen Doors 25 to 32
[341]	01	1 2 3 4 5 6 7 8	1 2 3 4 5 6 7 8	1 2 3 4 5 6 7 8	1 2 3 4 5 6 7 8
[342]	02	1 2 3 4 5 6 7 8	1 2 3 4 5 6 7 8	1 2 3 4 5 6 7 8	1 2 3 4 5 6 7 8
[343]	03	1 2 3 4 5 6 7 8	1 2 3 4 5 6 7 8	1 2 3 4 5 6 7 8	1 2 3 4 5 6 7 8
[344]	04	1 2 3 4 5 6 7 8	1 2 3 4 5 6 7 8	1 2 3 4 5 6 7 8	1 2 3 4 5 6 7 8
[345]	05	1 2 3 4 5 6 7 8	1 2 3 4 5 6 7 8	1 2 3 4 5 6 7 8	1 2 3 4 5 6 7 8
[346]	06	1 2 3 4 5 6 7 8	1 2 3 4 5 6 7 8	1 2 3 4 5 6 7 8	1 2 3 4 5 6 7 8
[347]	07	1 2 3 4 5 6 7 8	1 2 3 4 5 6 7 8	1 2 3 4 5 6 7 8	1 2 3 4 5 6 7 8
[348]	08	1 2 3 4 5 6 7 8	1 2 3 4 5 6 7 8	1 2 3 4 5 6 7 8	1 2 3 4 5 6 7 8
[349]	09	1 2 3 4 5 6 7 8	1 2 3 4 5 6 7 8	1 2 3 4 5 6 7 8	1 2 3 4 5 6 7 8
[350]	10	1 2 3 4 5 6 7 8	1 2 3 4 5 6 7 8	1 2 3 4 5 6 7 8	1 2 3 4 5 6 7 8
[351]	11	1 2 3 4 5 6 7 8	1 2 3 4 5 6 7 8	1 2 3 4 5 6 7 8	1 2 3 4 5 6 7 8
[352]	12	1 2 3 4 5 6 7 8	1 2 3 4 5 6 7 8	1 2 3 4 5 6 7 8	1 2 3 4 5 6 7 8
[353]	13	1 2 3 4 5 6 7 8	1 2 3 4 5 6 7 8	1 2 3 4 5 6 7 8	1 2 3 4 5 6 7 8
[354]	14	1 2 3 4 5 6 7 8	1 2 3 4 5 6 7 8	1 2 3 4 5 6 7 8	1 2 3 4 5 6 7 8
[355]	15	1 2 3 4 5 6 7 8	1 2 3 4 5 6 7 8	1 2 3 4 5 6 7 8	1 2 3 4 5 6 7 8

SCHEDULE PROGRAMMING

Each Schedule determines when users are permitted access. Holidays are programmed in sections [381] to [392]. Schedule 00 = access granted at all times.

Section	Schedule	Intervals	Start Time (from)	End Time (to)	Days (turn ON or OFF)							
					S	M	T	W	T	F	S	H
[361]	01	Interval A	___:___	___:___	1	2	3	4	5	6	7	8
		Interval B	___:___	___:___	1	2	3	4	5	6	7	8
[362]	02	Interval A	___:___	___:___	1	2	3	4	5	6	7	8
		Interval B	___:___	___:___	1	2	3	4	5	6	7	8
[363]	03	Interval A	___:___	___:___	1	2	3	4	5	6	7	8
		Interval B	___:___	___:___	1	2	3	4	5	6	7	8
[364]	04	Interval A	___:___	___:___	1	2	3	4	5	6	7	8
		Interval B	___:___	___:___	1	2	3	4	5	6	7	8
[365]	05	Interval A	___:___	___:___	1	2	3	4	5	6	7	8
		Interval B	___:___	___:___	1	2	3	4	5	6	7	8

Section	Schedule	Intervals	Start Time (from)	End Time (to)	Days (turn ON or OFF)							
					S	M	T	W	T	F	S	H
[366]	06	Interval A	____ : ____	____ : ____	1	2	3	4	5	6	7	8
		Interval B	____ : ____	____ : ____	1	2	3	4	5	6	7	8
[367]	07	Interval A	____ : ____	____ : ____	1	2	3	4	5	6	7	8
		Interval B	____ : ____	____ : ____	1	2	3	4	5	6	7	8
[368]	08	Interval A	____ : ____	____ : ____	1	2	3	4	5	6	7	8
		Interval B	____ : ____	____ : ____	1	2	3	4	5	6	7	8
[369]	09	Interval A	____ : ____	____ : ____	1	2	3	4	5	6	7	8
		Interval B	____ : ____	____ : ____	1	2	3	4	5	6	7	8
[370]	10	Interval A	____ : ____	____ : ____	1	2	3	4	5	6	7	8
		Interval B	____ : ____	____ : ____	1	2	3	4	5	6	7	8
[371]	11	Interval A	____ : ____	____ : ____	1	2	3	4	5	6	7	8
		Interval B	____ : ____	____ : ____	1	2	3	4	5	6	7	8
[372]	12	Interval A	____ : ____	____ : ____	1	2	3	4	5	6	7	8
		Interval B	____ : ____	____ : ____	1	2	3	4	5	6	7	8
[373]	13	Interval A	____ : ____	____ : ____	1	2	3	4	5	6	7	8
		Interval B	____ : ____	____ : ____	1	2	3	4	5	6	7	8
[374]	14	Interval A	____ : ____	____ : ____	1	2	3	4	5	6	7	8
		Interval B	____ : ____	____ : ____	1	2	3	4	5	6	7	8
[375]	15	Interval A	____ : ____	____ : ____	1	2	3	4	5	6	7	8
		Interval B	____ : ____	____ : ____	1	2	3	4	5	6	7	8



The Start and End Time of an Interval cannot cross over into another day. For example, to program a shift from 10PM one day to 6AM the next morning, you must program Interval 1A: Start Time 22:00 and End Time 23:59 then program Interval 1B Start Time 00:00 and End Time 06:00. The schedule will not be interrupted between 23:59 and 00:00.

HOLIDAY PROGRAMMING

The holidays are determined in these sections. When [H] is enabled in sections [361] to [375], access is permitted to users during the days programmed in sections [381] to [392].

Section	Month	Days Programmed (turn ON or OFF access):			
		First Screen Days 01 to 08	Second Screen Days 09 to 16	Third Screen Days 17 to 24	Fourth Screen Days 25 to 31
[381]	January	1 2 3 4 5 6 7 8	1 2 3 4 5 6 7 8	1 2 3 4 5 6 7 8	1 2 3 4 5 6 7 *
[382]	February	1 2 3 4 5 6 7 8	1 2 3 4 5 6 7 8	1 2 3 4 5 6 7 8	1 2 3 4 5 6 **
[383]	March	1 2 3 4 5 6 7 8	1 2 3 4 5 6 7 8	1 2 3 4 5 6 7 8	1 2 3 4 5 6 7 *
[384]	April	1 2 3 4 5 6 7 8	1 2 3 4 5 6 7 8	1 2 3 4 5 6 7 8	1 2 3 4 5 6 **
[385]	May	1 2 3 4 5 6 7 8	1 2 3 4 5 6 7 8	1 2 3 4 5 6 7 8	1 2 3 4 5 6 7 *
[386]	June	1 2 3 4 5 6 7 8	1 2 3 4 5 6 7 8	1 2 3 4 5 6 7 8	1 2 3 4 5 6 **
[387]	July	1 2 3 4 5 6 7 8	1 2 3 4 5 6 7 8	1 2 3 4 5 6 7 8	1 2 3 4 5 6 7 *
[388]	August	1 2 3 4 5 6 7 8	1 2 3 4 5 6 7 8	1 2 3 4 5 6 7 8	1 2 3 4 5 6 7 *
[389]	September	1 2 3 4 5 6 7 8	1 2 3 4 5 6 7 8	1 2 3 4 5 6 7 8	1 2 3 4 5 6 **
[390]	October	1 2 3 4 5 6 7 8	1 2 3 4 5 6 7 8	1 2 3 4 5 6 7 8	1 2 3 4 5 6 7 *
[391]	November	1 2 3 4 5 6 7 8	1 2 3 4 5 6 7 8	1 2 3 4 5 6 7 8	1 2 3 4 5 6 **
[392]	December	1 2 3 4 5 6 7 8	1 2 3 4 5 6 7 8	1 2 3 4 5 6 7 8	1 2 3 4 5 6 7 *

*option not used in this screen

Programmable Outputs

The control panel **deactivates** an activated PGM one of two ways (also see sections [502] and [503]):

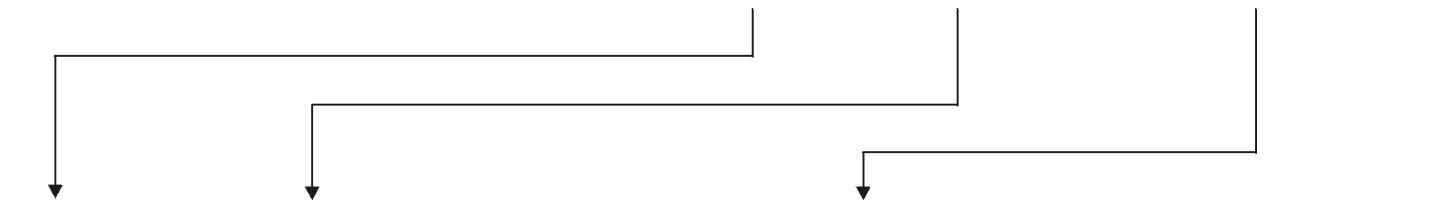
Option OFF = Follow Activation Event:

If the first digit of the PGM Activation Event is set at 1, 2, 3, 4, or 7, the PGM will remain activated until the PGM Activation Event has ended. It will ignore the PGM Deactivation Event. If the first digit of the PGM Activation Event is set at 8, 9, A, B, C, D, E, or F, the PGM will remain activated until the PGM Deactivation Event occurs.

Option ON = Follow PGM Delay Timer:

After activating the PGM, the control panel will start the PGM delay timer and the PGM will deactivate only when the PGM delay timer has elapsed regardless of the PGM Deactivation Event.

Section	PGM	Event Group (First Digit)	Event Group (Second Digit)	Event Selection (on/off)							
[400]	PGM1 Activation Event	___	___	1	2	3	4	5	6	7	8
[401]	PGM1 Deactivation Event	___	___	1	2	3	4	5	6	7	8
[402]	PGM2 Activation Event	___	___	1	2	3	4	5	6	7	8
[403]	PGM2 Deactivation Event	___	___	1	2	3	4	5	6	7	8
[404]	PGM3 Activation Event	___	___	1	2	3	4	5	6	7	8
[405]	PGM3 Deactivation Event	___	___	1	2	3	4	5	6	7	8
[406]	PGM4 Activation Event	___	___	1	2	3	4	5	6	7	8
[407]	PGM4 Deactivation Event	___	___	1	2	3	4	5	6	7	8
[408]	PGM5 Activation Event	___	___	1	2	3	4	5	6	7	8
[409]	PGM5 Deactivation Event	___	___	1	2	3	4	5	6	7	8



First Digit	Event	Second Digit	Feature Select Programming							
			1	2	3	4	5	6	7	8
0	<i>PGM Disabled</i>	N/A	N/A	N/A	N/A	N/A	N/A	N/A	N/A	N/A
1	<i>Status 1</i>	Note 1*	Any Arming Method	Force Arm	Stay Arm	Instant Arm	Strobe (until alarm is canceled)	Silent Alarm (until cancel alarm/bell cut off)	Audible Alarm (until cancel alarm/bell cut off)	Fire Alarm (until alarm is cancelled or bell is cut off)
2	<i>Status 2</i>	Note 1*	Ready Status	Exit Delay	Entry Delay	Trouble	Alarm Memory	Zone Bypassed (armed or not)	Master or Installer Programming	Keypad Lockout
3	<i>Status 3</i>	Note 1*	Intellizone	Fire Delay	Auto Arm Delay	N/A	Any Tamper	Zone Low Battery	Fire Loop	Zone Supervision

NOTE 1*:

0 = Occurs in all partitions enabled in the system (see section [500]).

1 = Partition 1 3 = Partition 3

2 = Partition 2 4 = Partition 4

8 = Occurs in at least one partition enabled in the system.

First Digit	Event	Second Digit	Feature Select Programming									
			1	2	3	4	5	6	7	8		
4	Status 4	0	Chime Partition 1	Chime Partition 2	Chime Partition 3	Chime Partition 4	Siren Partition 1	Siren Partition 2	Siren Partition 3	Siren Partition 4		
		1	N/A	N/A	N/A	N/A	Smoke Reset	Ground Start	Kissoff	N/A		
		2	System Trouble	Dialer Trouble	Module Trouble	Bus Trouble	N/A	N/A	N/A	N/A	Timer Loss	
		3	AC Fail	Battery fail	Aux. Limit	Bell Limit	No Bell	ROM Error	N/A	N/A	N/A	
		4	TLM	Fail to Com1	Fail to Com2	Fail to Com3	Fail to Com4	Fail to Com PC	N/A	N/A	N/A	
		5	Module Tamper	Module ROM Error	Module TLM	Module Fail to Com Phone#	Printer Fault	Module AC Fail	Module Battery Fail	Module Aux. fail		
		6	Missing Keypad	Missing Any Module	N/A	N/A	N/A	Global Bus Failure	Bus Overload	Module Bus Com Fail		
7	At the Selected Time	0	00:00	00:15	00:30	00:45	01:00	01:15	01:30	01:45		
		1	02:00	02:15	02:30	02:45	03:00	03:15	03:30	03:45		
		2	04:00	04:15	04:30	04:45	05:00	05:15	05:30	05:45		
		3	06:00	06:15	06:30	06:45	07:00	07:15	07:30	07:45		
		4	08:00	08:15	08:30	08:45	09:00	09:15	09:30	09:45		
		5	10:00	10:15	10:30	10:45	11:00	11:15	11:30	11:45		
		6	12:00	12:15	12:30	12:45	13:00	13:15	13:30	13:45		
		7	14:00	14:15	14:30	14:45	15:00	15:15	15:30	15:45		
		8	16:00	16:15	16:30	16:45	17:00	17:15	17:30	17:45		
		9	18:00	18:15	18:30	18:45	19:00	19:15	19:30	19:45		
		A	20:00	20:15	20:30	20:45	21:00	21:15	21:30	21:45		
B	22:00	22:15	22:30	22:45	23:00	23:15	23:30	23:45				
8	Utility Keys	0	Keys 1-2	Keys 4-5	Keys 7-8	CLEAR-0	Keys 2-3	Keys 5-6	Keys 8-9	0-ENTER		
9	Access Granted	0	Door 01	Door 02	Door 03	Door 04	Door 05	Door 06	Door 07	Door 08		
		1	Door 09	Door 10	Door 11	Door 12	Door 13	Door 14	Door 15	Door 16		
		2	Door 17	Door 18	Door 19	Door 20	Door 21	Door 22	Door 23	Door 24		
		3	Door 25	Door 26	Door 27	Door 28	Door 29	Door 30	Door 31	Door 32		
	User Code Entered	8	Code # 01	Code # 02	Code # 03	Code # 04	Code # 05	Code # 06	Code # 07	Code # 08		
		9	Code # 09	Code # 10	Code # 11	Code # 12	Code # 13	Code # 14	Code # 15	Code # 16		
		A	Code # 17	Code # 18	Code # 19	Code # 20	Code # 21	Code # 22	Code # 23	Code # 24		
		B	Code # 25	Code # 26	Code # 27	Code # 28	Code # 29	Code # 30	Code # 31	Code # 32		
		C	Code # 33	Code # 34	Code # 35	Code # 36	Code # 37	Code # 38	Code # 39	Code # 40		
		D	Code # 41	Code # 42	Code # 43	Code # 44	Code # 45	Code # 46	Code # 47	Code # 48		
		E	Code # 49	Code # 50	Code # 51	Code # 52	Code # 53	Code # 54	Code # 55	Code # 56		
		F	Code # 57	Code # 58	Code # 59	Code # 60	Code # 61	Code # 62	Code # 63	Code # 64		
		A	Arming	0	Code # 01	Code # 02	Code # 03	Code # 04	Code # 05	Code # 06	Code # 07	Code # 08
				1	Code # 09	Code # 10	Code # 11	Code # 12	Code # 13	Code # 14	Code # 15	Code # 16
2	Code # 17			Code # 18	Code # 19	Code # 20	Code # 21	Code # 22	Code # 23	Code # 24		
3	Code # 25			Code # 26	Code # 27	Code # 28	Code # 29	Code # 30	Code # 31	Code # 32		
4	Code # 33			Code # 34	Code # 35	Code # 36	Code # 37	Code # 38	Code # 39	Code # 40		
5	Code # 41			Code # 42	Code # 43	Code # 44	Code # 45	Code # 46	Code # 47	Code # 48		
6	Code # 49			Code # 50	Code # 51	Code # 52	Code # 53	Code # 54	Code # 55	Code # 56		
Disarming	7		Code # 57	Code # 58	Code # 59	Code # 60	Code # 61	Code # 62	Code # 63	Code # 64		
	8		Code # 01	Code # 02	Code # 03	Code # 04	Code # 05	Code # 06	Code # 07	Code # 08		
	9		Code # 09	Code # 10	Code # 11	Code # 12	Code # 13	Code # 14	Code # 15	Code # 16		
	A		Code # 17	Code # 18	Code # 19	Code # 20	Code # 21	Code # 22	Code # 23	Code # 24		
	B		Code # 25	Code # 26	Code # 27	Code # 28	Code # 29	Code # 30	Code # 31	Code # 32		
	C		Code # 33	Code # 34	Code # 35	Code # 36	Code # 37	Code # 38	Code # 39	Code # 40		
	D		Code # 41	Code # 42	Code # 43	Code # 44	Code # 45	Code # 46	Code # 47	Code # 48		
E	Code # 49	Code # 50	Code # 51	Code # 52	Code # 53	Code # 54	Code # 55	Code # 56				
F	Code # 57	Code # 58	Code # 59	Code # 60	Code # 61	Code # 62	Code # 63	Code # 64				

First Digit	Event	Second Digit	Feature Select Programming								
			1	2	3	4	5	6	7	8	
B	Zone is OK	0	Zone # 01	Zone #02	Zone# 03	Zone# 04	Zone # 05	Zone # 06	Zone # 07	Zone # 08	
		1	Zone # 09	Zone #10	Zone # 11	Zone# 12	Zone # 13	Zone # 14	Zone # 15	Zone # 16	
		2	Zone # 17	Zone #18	Zone# 19	Zone# 20	Zone # 21	Zone # 22	Zone # 23	Zone # 24	
		3	Zone # 25	Zone #26	Zone# 27	Zone# 28	Zone # 29	Zone # 30	Zone # 31	Zone # 32	
		4	Zone # 33	Zone #34	Zone# 35	Zone# 36	Zone # 37	Zone # 38	Zone # 39	Zone # 40	
		5	Zone # 41	Zone #42	Zone# 43	Zone# 44	Zone # 45	Zone # 46	Zone # 47	Zone # 48	
	Zone is Open	8	Zone # 01	Zone #02	Zone# 03	Zone# 04	Zone # 05	Zone # 06	Zone # 07	Zone # 08	
		9	Zone # 09	Zone #10	Zone # 11	Zone# 12	Zone # 13	Zone # 14	Zone # 15	Zone # 16	
		A	Zone # 17	Zone #18	Zone# 19	Zone# 20	Zone # 21	Zone # 22	Zone # 23	Zone # 24	
		B	Zone # 25	Zone #26	Zone# 27	Zone# 28	Zone # 29	Zone # 30	Zone # 31	Zone # 32	
		C	Zone # 33	Zone #34	Zone# 35	Zone# 36	Zone # 37	Zone # 38	Zone # 39	Zone # 40	
		D	Zone # 41	Zone #42	Zone# 43	Zone# 44	Zone # 45	Zone # 46	Zone # 47	Zone # 48	
	C	Auto Zone Shutdown	0	Zone # 01	Zone #02	Zone# 03	Zone# 04	Zone # 05	Zone # 06	Zone # 07	Zone # 08
			1	Zone # 09	Zone #10	Zone # 11	Zone# 12	Zone # 13	Zone # 14	Zone # 15	Zone # 16
2			Zone # 17	Zone #18	Zone# 19	Zone# 20	Zone # 21	Zone # 22	Zone # 23	Zone # 24	
3			Zone # 25	Zone #26	Zone# 27	Zone# 28	Zone # 29	Zone # 30	Zone # 31	Zone # 32	
4			Zone # 33	Zone #34	Zone# 35	Zone# 36	Zone # 37	Zone # 38	Zone # 39	Zone # 40	
5			Zone # 41	Zone #42	Zone# 43	Zone# 44	Zone # 45	Zone # 46	Zone # 47	Zone # 48	
Zone Bypass (when system is armed)		8	Zone # 01	Zone #02	Zone# 03	Zone# 04	Zone # 05	Zone # 06	Zone # 07	Zone # 08	
		9	Zone # 09	Zone #10	Zone # 11	Zone# 12	Zone # 13	Zone # 14	Zone # 15	Zone # 16	
		A	Zone # 17	Zone #18	Zone# 19	Zone# 20	Zone # 21	Zone # 22	Zone # 23	Zone # 24	
		B	Zone # 25	Zone #26	Zone# 27	Zone# 28	Zone # 29	Zone # 30	Zone # 31	Zone # 32	
		C	Zone # 33	Zone #34	Zone# 35	Zone# 36	Zone # 37	Zone # 38	Zone # 39	Zone # 40	
		D	Zone # 41	Zone #42	Zone# 43	Zone# 44	Zone # 45	Zone # 46	Zone # 47	Zone # 48	
D		Zone Fault (Tamper / Fire Loop)	0	Zone # 01	Zone #02	Zone# 03	Zone# 04	Zone # 05	Zone # 06	Zone # 07	Zone # 08
			1	Zone # 09	Zone #10	Zone # 11	Zone# 12	Zone # 13	Zone # 14	Zone # 15	Zone # 16
	2		Zone # 17	Zone #18	Zone# 19	Zone# 20	Zone # 21	Zone # 22	Zone # 23	Zone # 24	
	3		Zone # 25	Zone #26	Zone# 27	Zone# 28	Zone # 29	Zone # 30	Zone # 31	Zone # 32	
	4		Zone # 33	Zone #34	Zone# 35	Zone# 36	Zone # 37	Zone # 38	Zone # 39	Zone # 40	
	5		Zone # 41	Zone #42	Zone# 43	Zone# 44	Zone # 45	Zone # 46	Zone # 47	Zone # 48	
	RF Zone Fault (Low battery Supervision)	8	Zone # 01	Zone #02	Zone# 03	Zone# 04	Zone # 05	Zone # 06	Zone # 07	Zone # 08	
		9	Zone # 09	Zone #10	Zone # 11	Zone# 12	Zone # 13	Zone # 14	Zone # 15	Zone # 16	
		A	Zone # 17	Zone #18	Zone# 19	Zone# 20	Zone # 21	Zone # 22	Zone # 23	Zone # 24	
		B	Zone # 25	Zone #26	Zone# 27	Zone# 28	Zone # 29	Zone # 30	Zone # 31	Zone # 32	
		C	Zone # 33	Zone #34	Zone# 35	Zone# 36	Zone # 37	Zone # 38	Zone # 39	Zone # 40	
		D	Zone # 41	Zone #42	Zone# 43	Zone# 44	Zone # 45	Zone # 46	Zone # 47	Zone # 48	
	E	Fire/Burglar Alarms	0	Zone # 01	Zone #02	Zone# 03	Zone# 04	Zone # 05	Zone # 06	Zone # 07	Zone # 08
			1	Zone # 09	Zone #10	Zone # 11	Zone# 12	Zone # 13	Zone # 14	Zone # 15	Zone # 16
2			Zone # 17	Zone #18	Zone# 19	Zone# 20	Zone # 21	Zone # 22	Zone # 23	Zone # 24	
3			Zone # 25	Zone #26	Zone# 27	Zone# 28	Zone # 29	Zone # 30	Zone # 31	Zone # 32	
4			Zone # 33	Zone #34	Zone# 35	Zone# 36	Zone # 37	Zone # 38	Zone # 39	Zone # 40	
5			Zone # 41	Zone #42	Zone# 43	Zone# 44	Zone # 45	Zone # 46	Zone # 47	Zone # 48	
Fire/Burglar Restore		8	Zone # 01	Zone #02	Zone# 03	Zone# 04	Zone # 05	Zone # 06	Zone # 07	Zone # 08	
		9	Zone # 09	Zone #10	Zone # 11	Zone# 12	Zone # 13	Zone # 14	Zone # 15	Zone # 16	
		A	Zone # 17	Zone #18	Zone# 19	Zone# 20	Zone # 21	Zone # 22	Zone # 23	Zone # 24	
		B	Zone # 25	Zone #26	Zone# 27	Zone# 28	Zone # 29	Zone # 30	Zone # 31	Zone # 32	
		C	Zone # 33	Zone #34	Zone# 35	Zone# 36	Zone # 37	Zone # 38	Zone # 39	Zone # 40	
		D	Zone # 41	Zone #42	Zone# 43	Zone# 44	Zone # 45	Zone # 46	Zone # 47	Zone # 48	
F		Module Troubles	0	Bus Fault	Tamper	ROM Error	TLM	Fail to Comm.	Printer Fault	AC Fail	Battery Fail
			1	Auxiliary Output Fail	N/A	N/A	N/A	N/A	N/A	N/A	N/A
	8	Bus Fault Restore	Tamper Restore	ROM Error Restore	TLM Restore	Fail to Comm. Restore	Printer Fault Restore	AC Fail Restore	Battery Fail Restore		
	9	Auxiliary Fail	N/A	N/A	N/A	N/A	N/A	N/A	N/A		

Other Settings

Section #	Decimal Value (00 to 15)	Description	Default
[450] ___/___	00 to 04 (00 = all enabled partitions)	CONTROL PANEL PARTITION ASSIGNMENT	00
[451] ___/___	x4 sec.	ANSWERING MACHINE OVERRIDE DELAY	32 sec.
[452] ___/___		NUMBER OF RINGS	8 rings

System Options

Bold = Default setting

SECTION [500]: System Options

Option	OFF	ON
[1] <i>Partition 1</i>	<input type="checkbox"/> Disabled	<input type="checkbox"/> Enabled
[2] <i>Partition 2</i>	<input type="checkbox"/> Disabled	<input type="checkbox"/> Enabled
[3] <i>Partition 3</i>	<input type="checkbox"/> Disabled	<input type="checkbox"/> Enabled
[4] <i>Partition 4</i>	<input type="checkbox"/> Disabled	<input type="checkbox"/> Enabled
[5] <i>Bell/Siren Output in Partition 1</i>	<input type="checkbox"/> Disabled	<input type="checkbox"/> Enabled
[6] <i>Bell/Siren Output in Partition 2</i>	<input type="checkbox"/> Disabled	<input type="checkbox"/> Enabled
[7] <i>Bell/Siren Output in Partition 3</i>	<input type="checkbox"/> Disabled	<input type="checkbox"/> Enabled
[8] <i>Bell/Siren Output in Partition 4</i>	<input type="checkbox"/> Disabled	<input type="checkbox"/> Enabled

SECTION [501]: System Options

Option	OFF	ON																	
[1]&[2]	Wireless Transmitter Supervision Options <table border="1" style="width: 100%; border-collapse: collapse; font-size: small;"> <thead> <tr> <th>[1]</th> <th>[2]</th> <th></th> </tr> </thead> <tbody> <tr> <td>OFF</td> <td>OFF</td> <td>Disabled (default)</td> </tr> <tr> <td>ON</td> <td>OFF</td> <td>When disarmed: GENERATES TROUBLE ONLY When armed: Follows <i>Zone Alarm Types</i> (page 5)</td> </tr> <tr> <td>OFF</td> <td>ON</td> <td>When disarmed: GENERATES SILENT ALARM When armed: Follows <i>Zone Alarm Types</i> (page 5)</td> </tr> <tr> <td>ON</td> <td>ON</td> <td>When disarmed: GENERATES AUDIBLE ALARM When armed: Follows <i>Zone Alarm Types</i> (page 5)</td> </tr> </tbody> </table>		[1]	[2]		OFF	OFF	Disabled (default)	ON	OFF	When disarmed: GENERATES TROUBLE ONLY When armed: Follows <i>Zone Alarm Types</i> (page 5)	OFF	ON	When disarmed: GENERATES SILENT ALARM When armed: Follows <i>Zone Alarm Types</i> (page 5)	ON	ON	When disarmed: GENERATES AUDIBLE ALARM When armed: Follows <i>Zone Alarm Types</i> (page 5)	<input type="checkbox"/> see table	<input type="checkbox"/> see table
	[1]	[2]																	
	OFF	OFF	Disabled (default)																
	ON	OFF	When disarmed: GENERATES TROUBLE ONLY When armed: Follows <i>Zone Alarm Types</i> (page 5)																
OFF	ON	When disarmed: GENERATES SILENT ALARM When armed: Follows <i>Zone Alarm Types</i> (page 5)																	
ON	ON	When disarmed: GENERATES AUDIBLE ALARM When armed: Follows <i>Zone Alarm Types</i> (page 5)																	
[3]	<input type="checkbox"/> Yes	<input type="checkbox"/> No																	
[4]	<input type="checkbox"/> Disabled	<input type="checkbox"/> Enabled																	
[5]&[6]	Zone & Module Tamper Recognition Options <table border="1" style="width: 100%; border-collapse: collapse; font-size: small;"> <thead> <tr> <th>[5]</th> <th>[6]</th> <th></th> </tr> </thead> <tbody> <tr> <td>OFF</td> <td>OFF</td> <td>Disabled (default)</td> </tr> <tr> <td>ON</td> <td>OFF</td> <td>When disarmed: GENERATES TROUBLE ONLY When armed: Follows <i>Zone Alarm Types</i> (page 5)</td> </tr> <tr> <td>OFF</td> <td>ON</td> <td>When disarmed: GENERATES SILENT ALARM When armed: Follows <i>Zone Alarm Types</i> (page 5)</td> </tr> <tr> <td>ON</td> <td>ON</td> <td>When disarmed: GENERATES AUDIBLE ALARM When armed: Follows <i>Zone Alarm Types</i> (page 5)</td> </tr> </tbody> </table>		[5]	[6]		OFF	OFF	Disabled (default)	ON	OFF	When disarmed: GENERATES TROUBLE ONLY When armed: Follows <i>Zone Alarm Types</i> (page 5)	OFF	ON	When disarmed: GENERATES SILENT ALARM When armed: Follows <i>Zone Alarm Types</i> (page 5)	ON	ON	When disarmed: GENERATES AUDIBLE ALARM When armed: Follows <i>Zone Alarm Types</i> (page 5)	<input type="checkbox"/> see table	<input type="checkbox"/> see table
	[5]	[6]																	
	OFF	OFF	Disabled (default)																
	ON	OFF	When disarmed: GENERATES TROUBLE ONLY When armed: Follows <i>Zone Alarm Types</i> (page 5)																
OFF	ON	When disarmed: GENERATES SILENT ALARM When armed: Follows <i>Zone Alarm Types</i> (page 5)																	
ON	ON	When disarmed: GENERATES AUDIBLE ALARM When armed: Follows <i>Zone Alarm Types</i> (page 5)																	
[7]	<input type="checkbox"/> Yes	<input type="checkbox"/> No																	
[8]	<input type="checkbox"/> Disabled	<input type="checkbox"/> Enabled																	

Bold = Default setting

SECTION [502]: PGM & Other Options

Option	OFF	ON
[1] <i>PGM 1 Deactivation Type</i>	<input type="checkbox"/> Follows Event	<input type="checkbox"/> Follows Timer
[2] <i>PGM 2 Deactivation Type</i>	<input type="checkbox"/> Follows Event	<input type="checkbox"/> Follows Timer
[3] <i>PGM 3 Deactivation Type</i>	<input type="checkbox"/> Follows Event	<input type="checkbox"/> Follows Timer
[4] <i>PGM 4 Deactivation Type</i>	<input type="checkbox"/> Follows Event	<input type="checkbox"/> Follows Timer
[5] <i>PGM 5 Deactivation Type</i>	<input type="checkbox"/> Follows Event	<input type="checkbox"/> Follows Timer
[6] <i>Auto adjust panel dock for Daylight Savings</i>	<input type="checkbox"/> Disabled	<input type="checkbox"/> Enabled
[7] <i>PGM 1 = 2-wire smoke detector input (255)</i>	<input type="checkbox"/> Disabled	<input type="checkbox"/> Enabled
[8] <i>No bell cut-off during fire alarm</i>	<input type="checkbox"/> Disabled	<input type="checkbox"/> Enabled

SECTION [503]: PGM & Other Options

Option	OFF	ON
[1] <i>PGM 1 Timer (see section [250])</i>	<input type="checkbox"/> Seconds	<input type="checkbox"/> Minutes
[2] <i>PGM 2 Timer (see section [251])</i>	<input type="checkbox"/> Seconds	<input type="checkbox"/> Minutes
[3] <i>PGM 3 Timer (see section [252])</i>	<input type="checkbox"/> Seconds	<input type="checkbox"/> Minutes
[4] <i>PGM 4 Timer (see section [253])</i>	<input type="checkbox"/> Seconds	<input type="checkbox"/> Minutes
[5] <i>PGM 5 Timer (see section [254])</i>	<input type="checkbox"/> Seconds	<input type="checkbox"/> Minutes
[6] <i>Battery charge current</i>	<input type="checkbox"/> 350mA	<input type="checkbox"/> 700mA
[7] <i>AC failure does not appear in Trouble Display</i>	<input type="checkbox"/> Disabled	<input type="checkbox"/> Enabled
[8] <i>Restrict arming on battery failure</i>	<input type="checkbox"/> Disabled	<input type="checkbox"/> Enabled

SECTION [504]: Keypad & Other Options

Option	OFF	ON
[1] <i>Multiple Actions in User Menu</i>	<input type="checkbox"/> Disabled	<input type="checkbox"/> Enabled
[2] <i>User Code length</i>	<input type="checkbox"/> Fixed (see option [3] below)	<input type="checkbox"/> Flexible (1 to 6 digits)
[3] <i>User Code length</i>	<input type="checkbox"/> 4-digits (if option [2] = off)	<input type="checkbox"/> 6-digits (if option [2] = off)
[4] <i>Power Save Mode</i>	<input type="checkbox"/> Disabled	<input type="checkbox"/> Enabled
[5] <i>Bypass not displayed while system is armed</i>	<input type="checkbox"/> Disabled	<input type="checkbox"/> Enabled
[6] <i>Future Use</i>	<input type="checkbox"/> N/A	<input type="checkbox"/> N/A
[7] <i>EOL resistor on hardwire inputs</i>	<input type="checkbox"/> Disabled	<input type="checkbox"/> Enabled
[8] <i>ATZ (Zone Doubling)</i>	<input type="checkbox"/> Disabled	<input type="checkbox"/> Enabled

Partition 1: Options

Bold = Default setting

SECTION [505]: Partition 1 Options

Option	OFF	ON
[1] <i>Switch to Stay Arming (if no delay zone opened)</i>	<input type="checkbox"/> Disabled	<input type="checkbox"/> Enabled
[2] <i>Partition 1 arms & disarms with Partition 2</i>	<input type="checkbox"/> Disabled	<input type="checkbox"/> Enabled
[3] <i>Partition 1 arms & disarms with Partition 3</i>	<input type="checkbox"/> Disabled	<input type="checkbox"/> Enabled
[4] <i>Partition 1 arms & disarms with Partition 4</i>	<input type="checkbox"/> Disabled	<input type="checkbox"/> Enabled
[5] <i>Timed Auto-Arming</i>	<input type="checkbox"/> Disabled	<input type="checkbox"/> Enabled
[6] <i>“No Movement” Auto-Arming</i>	<input type="checkbox"/> Disabled	<input type="checkbox"/> Enabled
[7] <i>Arming method for auto arming</i>	<input type="checkbox"/> Force Arming	<input type="checkbox"/> Stay Arming
[8] <i>Exit Delay termination</i>	<input type="checkbox"/> Disabled	<input type="checkbox"/> Enabled

SECTION [506]: Partition 1 Options

Option	OFF	ON
[1] <i>Panic 1 (keys [1] and [3])</i>	<input type="checkbox"/> Disabled	<input type="checkbox"/> Enabled
[2] <i>Panic 2 (keys [4] and [6])</i>	<input type="checkbox"/> Disabled	<input type="checkbox"/> Enabled
[3] <i>Panic 3 (keys [7] and [9])</i>	<input type="checkbox"/> Disabled	<input type="checkbox"/> Enabled
[4] <i>Panic 1 alarm type</i>	<input type="checkbox"/> Report Only	<input type="checkbox"/> Audible Alarm
[5] <i>Panic 2 alarm type</i>	<input type="checkbox"/> Report Only	<input type="checkbox"/> Audible Alarm
[6] <i>Panic 3 alarm type</i>	<input type="checkbox"/> Report Only	<input type="checkbox"/> Fire Alarm
[7] <i>Report Disarming Options</i>	<input type="checkbox"/> Always report disarming	<input type="checkbox"/> Report disarming only after alarm
[8] <i>Future Use</i>	<input type="checkbox"/> N/A	<input type="checkbox"/> N/A

SECTION [507]: Partition 1 Options

Option	OFF	ON
[1] <i>Bell Squawk upon Disarming</i>	<input type="checkbox"/> Disabled	<input type="checkbox"/> Enabled
[2] <i>Bell Squawk upon Arming</i>	<input type="checkbox"/> Disabled	<input type="checkbox"/> Enabled
[3] <i>Bell Squawk upon Auto-Arming</i>	<input type="checkbox"/> Disabled	<input type="checkbox"/> Enabled
[4] <i>Bell Squawk during Exit Delay</i>	<input type="checkbox"/> Disabled	<input type="checkbox"/> Enabled
[5] <i>Bell Squawk during Entry Delay</i>	<input type="checkbox"/> Disabled	<input type="checkbox"/> Enabled
[6] <i>Bell Squawk upon Remote Arming/Disarming</i>	<input type="checkbox"/> Disabled	<input type="checkbox"/> Enabled
[7] <i>Ring Back: bell squawk if disarmed after alarm</i>	<input type="checkbox"/> Disabled	<input type="checkbox"/> Enabled
[8] <i>Ring Back: keypad beeps if disarmed after alarm</i>	<input type="checkbox"/> Disabled	<input type="checkbox"/> Enabled

SECTION [508]*: Partition 1 Options

Option	OFF	ON
[1] <i>One-Touch Regular Arming</i>	<input type="checkbox"/> Disabled	<input type="checkbox"/> Enabled
[2] <i>One-Touch Stay Arming</i>	<input type="checkbox"/> Disabled	<input type="checkbox"/> Enabled
[3] <i>One-Touch Instant Arming</i>	<input type="checkbox"/> Disabled	<input type="checkbox"/> Enabled
[4] <i>One-Touch Force Arming</i>	<input type="checkbox"/> Disabled	<input type="checkbox"/> Enabled
[5] <i>One-Touch Stay or Instant Disarming</i>	<input type="checkbox"/> Disabled	<input type="checkbox"/> Enabled
[6] <i>One-Touch Bypass Programming</i>	<input type="checkbox"/> Disabled	<input type="checkbox"/> Enabled
[7] <i>One-Touch Event Display</i>	<input type="checkbox"/> Disabled	<input type="checkbox"/> Enabled
[8] <i>No Exit Delay when arming with remote control</i>	<input type="checkbox"/> Disabled	<input type="checkbox"/> Enabled

* If the keypad is assigned to more than one partition, the feature must be enabled in all the keypad's partitions.

Partition 2: Options

Bold = Default setting

SECTION [509]: Partition 2 Options

Option	OFF	ON
[1] <i>Partition 2 arms & disarms with Partition 1</i>	<input type="checkbox"/> Disabled	<input type="checkbox"/> Enabled
[2] <i>Switch to Stay Arming (if no delay zone opened)</i>	<input type="checkbox"/> Disabled	<input type="checkbox"/> Enabled
[3] <i>Partition 2 arms & disarms with Partition 3</i>	<input type="checkbox"/> Disabled	<input type="checkbox"/> Enabled
[4] <i>Partition 2 arms & disarms with Partition 4</i>	<input type="checkbox"/> Disabled	<input type="checkbox"/> Enabled
[5] <i>Timed Auto-Arming</i>	<input type="checkbox"/> Disabled	<input type="checkbox"/> Enabled
[6] <i>"No Movement" Auto-Arming</i>	<input type="checkbox"/> Disabled	<input type="checkbox"/> Enabled
[7] <i>Arming method for auto arming</i>	<input type="checkbox"/> Force Arming	<input type="checkbox"/> Stay Arming
[8] <i>Exit Delay termination</i>	<input type="checkbox"/> Disabled	<input type="checkbox"/> Enabled

SECTION [510]: Partition 2 Options

Option	OFF	ON
[1] <i>Panic 1 (keys [1] and [3])</i>	<input type="checkbox"/> Disabled	<input type="checkbox"/> Enabled
[2] <i>Panic 2 (keys [4] and [6])</i>	<input type="checkbox"/> Disabled	<input type="checkbox"/> Enabled
[3] <i>Panic 3 (keys [7] and [9])</i>	<input type="checkbox"/> Disabled	<input type="checkbox"/> Enabled
[4] <i>Panic 1 alarm type</i>	<input type="checkbox"/> Report Only	<input type="checkbox"/> Audible Alarm
[5] <i>Panic 2 alarm type</i>	<input type="checkbox"/> Report Only	<input type="checkbox"/> Audible Alarm
[6] <i>Panic 3 alarm type</i>	<input type="checkbox"/> Report Only	<input type="checkbox"/> Fire Alarm
[7] <i>Report Disarming Options</i>	<input type="checkbox"/> Always report disarming	<input type="checkbox"/> Report disarming only after alarm
[8] <i>Future Use</i>	<input type="checkbox"/> N/A	<input type="checkbox"/> N/A

SECTION [511]: Partition 2 Options

Option	OFF	ON
[1] <i>Bell Squawk upon Disarming</i>	<input type="checkbox"/> Disabled	<input type="checkbox"/> Enabled
[2] <i>Bell Squawk upon Arming</i>	<input type="checkbox"/> Disabled	<input type="checkbox"/> Enabled
[3] <i>Bell Squawk upon Auto-Arming</i>	<input type="checkbox"/> Disabled	<input type="checkbox"/> Enabled
[4] <i>Bell Squawk during Exit Delay</i>	<input type="checkbox"/> Disabled	<input type="checkbox"/> Enabled
[5] <i>Bell Squawk during Entry Delay</i>	<input type="checkbox"/> Disabled	<input type="checkbox"/> Enabled
[6] <i>Bell Squawk upon Remote Arming/Disarming</i>	<input type="checkbox"/> Disabled	<input type="checkbox"/> Enabled
[7] <i>Ring Back: bell squawk if disarmed after alarm</i>	<input type="checkbox"/> Disabled	<input type="checkbox"/> Enabled
[8] <i>Ring Back: keypad beeps if disarmed after alarm</i>	<input type="checkbox"/> Disabled	<input type="checkbox"/> Enabled

SECTION [512]*: Partition 2 Options

Option	OFF	ON
[1] <i>One-Touch Regular Arming</i>	<input type="checkbox"/> Disabled	<input type="checkbox"/> Enabled
[2] <i>One-Touch Stay Arming</i>	<input type="checkbox"/> Disabled	<input type="checkbox"/> Enabled
[3] <i>One-Touch Instant Arming</i>	<input type="checkbox"/> Disabled	<input type="checkbox"/> Enabled
[4] <i>One-Touch Force Arming</i>	<input type="checkbox"/> Disabled	<input type="checkbox"/> Enabled
[5] <i>One-Touch Stay or Instant Disarming</i>	<input type="checkbox"/> Disabled	<input type="checkbox"/> Enabled
[6] <i>One-Touch Bypass Programming</i>	<input type="checkbox"/> Disabled	<input type="checkbox"/> Enabled
[7] <i>One-Touch Event Display</i>	<input type="checkbox"/> Disabled	<input type="checkbox"/> Enabled
[8] <i>No Exit Delay when arming with remote control</i>	<input type="checkbox"/> Disabled	<input type="checkbox"/> Enabled

* If the keypad is assigned to more than one partition, the feature must be enabled in all the keypad's partitions.

Partition 3: Options

Bold = Default setting

SECTION [513]: Partition 3 Options

Option	OFF	ON
[1] <i>Partition 3 arms & disarms with Partition 1</i>	<input type="checkbox"/> Disabled	<input type="checkbox"/> Enabled
[2] <i>Partition 3 arms & disarms with Partition 2</i>	<input type="checkbox"/> Disabled	<input type="checkbox"/> Enabled
[3] <i>Switch to Stay Arming (if no delay zone opened)</i>	<input type="checkbox"/> Disabled	<input type="checkbox"/> Enabled
[4] <i>Partition 3 arms & disarms with Partition 4</i>	<input type="checkbox"/> Disabled	<input type="checkbox"/> Enabled
[5] <i>Timed Auto-Arming</i>	<input type="checkbox"/> Disabled	<input type="checkbox"/> Enabled
[6] <i>“No Movement” Auto-Arming</i>	<input type="checkbox"/> Disabled	<input type="checkbox"/> Enabled
[7] <i>Arming method for auto arming</i>	<input type="checkbox"/> Force Arming	<input type="checkbox"/> Stay Arming
[8] <i>Exit Delay termination</i>	<input type="checkbox"/> Disabled	<input type="checkbox"/> Enabled

SECTION [514]: Partition 3 Options

Option	OFF	ON
[1] <i>Panic 1 (keys [1] and [3])</i>	<input type="checkbox"/> Disabled	<input type="checkbox"/> Enabled
[2] <i>Panic 2 (keys [4] and [6])</i>	<input type="checkbox"/> Disabled	<input type="checkbox"/> Enabled
[3] <i>Panic 3 (keys [7] and [9])</i>	<input type="checkbox"/> Disabled	<input type="checkbox"/> Enabled
[4] <i>Panic 1 alarm type</i>	<input type="checkbox"/> Report Only	<input type="checkbox"/> Audible Alarm
[5] <i>Panic 2 alarm type</i>	<input type="checkbox"/> Report Only	<input type="checkbox"/> Audible Alarm
[6] <i>Panic 3 alarm type</i>	<input type="checkbox"/> Report Only	<input type="checkbox"/> Fire Alarm
[7] <i>Report Disarming Options</i>	<input type="checkbox"/> Always report disarming	<input type="checkbox"/> Report disarming only after alarm
[8] <i>Future Use</i>	<input type="checkbox"/> N/A	<input type="checkbox"/> N/A

SECTION [515]: Partition 3 Options

Option	OFF	ON
[1] <i>Bell Squawk upon Disarming</i>	<input type="checkbox"/> Disabled	<input type="checkbox"/> Enabled
[2] <i>Bell Squawk upon Arming</i>	<input type="checkbox"/> Disabled	<input type="checkbox"/> Enabled
[3] <i>Bell Squawk upon Auto-Arming</i>	<input type="checkbox"/> Disabled	<input type="checkbox"/> Enabled
[4] <i>Bell Squawk during Exit Delay</i>	<input type="checkbox"/> Disabled	<input type="checkbox"/> Enabled
[5] <i>Bell Squawk during Entry Delay</i>	<input type="checkbox"/> Disabled	<input type="checkbox"/> Enabled
[6] <i>Bell Squawk upon Remote Arming/Disarming</i>	<input type="checkbox"/> Disabled	<input type="checkbox"/> Enabled
[7] <i>Ring Back: bell squawk if disarmed after alarm</i>	<input type="checkbox"/> Disabled	<input type="checkbox"/> Enabled
[8] <i>Ring Back: keypad beeps if disarmed after alarm</i>	<input type="checkbox"/> Disabled	<input type="checkbox"/> Enabled

SECTION [516]*: Partition 3 Options

Option	OFF	ON
[1] <i>One-Touch Regular Arming</i>	<input type="checkbox"/> Disabled	<input type="checkbox"/> Enabled
[2] <i>One-Touch Stay Arming</i>	<input type="checkbox"/> Disabled	<input type="checkbox"/> Enabled
[3] <i>One-Touch Instant Arming</i>	<input type="checkbox"/> Disabled	<input type="checkbox"/> Enabled
[4] <i>One-Touch Force Arming</i>	<input type="checkbox"/> Disabled	<input type="checkbox"/> Enabled
[5] <i>One-Touch Stay or Instant Disarming</i>	<input type="checkbox"/> Disabled	<input type="checkbox"/> Enabled
[6] <i>One-Touch Bypass Programming</i>	<input type="checkbox"/> Disabled	<input type="checkbox"/> Enabled
[7] <i>One-Touch Event Display</i>	<input type="checkbox"/> Disabled	<input type="checkbox"/> Enabled
[8] <i>No Exit Delay when arming with remote control</i>	<input type="checkbox"/> Disabled	<input type="checkbox"/> Enabled

* If the keypad is assigned to more than one partition, the feature must be enabled in all the keypad's partitions.

Partition 4: Options

Bold = Default setting

SECTION [517]: Partition 4 Options

Option	OFF	ON
[1] <i>Partition 4 arms & disarms with Partition 1</i>	<input type="checkbox"/> Disabled	<input type="checkbox"/> Enabled
[2] <i>Partition 4 arms & disarms with Partition 2</i>	<input type="checkbox"/> Disabled	<input type="checkbox"/> Enabled
[3] <i>Partition 4 arms & disarms with Partition 3</i>	<input type="checkbox"/> Disabled	<input type="checkbox"/> Enabled
[4] <i>Switch to Stay Arming (if no delay zone opened)</i>	<input type="checkbox"/> Disabled	<input type="checkbox"/> Enabled
[5] <i>Timed Auto-Arming</i>	<input type="checkbox"/> Disabled	<input type="checkbox"/> Enabled
[6] <i>"No Movement" Auto-Arming</i>	<input type="checkbox"/> Disabled	<input type="checkbox"/> Enabled
[7] <i>Arming method for auto arming</i>	<input type="checkbox"/> Force Arming	<input type="checkbox"/> Stay Arming
[8] <i>Exit Delay termination</i>	<input type="checkbox"/> Disabled	<input type="checkbox"/> Enabled

SECTION [518]: Partition 4 Options

Option	OFF	ON
[1] <i>Panic 1 (keys [1] and [3])</i>	<input type="checkbox"/> Disabled	<input type="checkbox"/> Enabled
[2] <i>Panic 2 (keys [4] and [6])</i>	<input type="checkbox"/> Disabled	<input type="checkbox"/> Enabled
[3] <i>Panic 3 (keys [7] and [9])</i>	<input type="checkbox"/> Disabled	<input type="checkbox"/> Enabled
[4] <i>Panic 1 alarm type</i>	<input type="checkbox"/> Report Only	<input type="checkbox"/> Audible Alarm
[5] <i>Panic 2 alarm type</i>	<input type="checkbox"/> Report Only	<input type="checkbox"/> Audible Alarm
[6] <i>Panic 3 alarm type</i>	<input type="checkbox"/> Report Only	<input type="checkbox"/> Fire Alarm
[7] <i>Report Disarming Options</i>	<input type="checkbox"/> Always report disarming	<input type="checkbox"/> Report disarming only after alarm
[8] <i>Future Use</i>	<input type="checkbox"/> N/A	<input type="checkbox"/> N/A

SECTION [519]: Partition 4 Options

Option	OFF	ON
[1] <i>Bell Squawk upon Disarming</i>	<input type="checkbox"/> Disabled	<input type="checkbox"/> Enabled
[2] <i>Bell Squawk upon Arming</i>	<input type="checkbox"/> Disabled	<input type="checkbox"/> Enabled
[3] <i>Bell Squawk upon Auto-Arming</i>	<input type="checkbox"/> Disabled	<input type="checkbox"/> Enabled
[4] <i>Bell Squawk during Exit Delay</i>	<input type="checkbox"/> Disabled	<input type="checkbox"/> Enabled
[5] <i>Bell Squawk during Entry Delay</i>	<input type="checkbox"/> Disabled	<input type="checkbox"/> Enabled
[6] <i>Bell Squawk upon Remote Arming/Disarming</i>	<input type="checkbox"/> Disabled	<input type="checkbox"/> Enabled
[7] <i>Ring Back: bell squawk if disarmed after alarm</i>	<input type="checkbox"/> Disabled	<input type="checkbox"/> Enabled
[8] <i>Ring Back: keypad beeps if disarmed after alarm</i>	<input type="checkbox"/> Disabled	<input type="checkbox"/> Enabled

SECTION [520]*: Partition 4 Options

Option	OFF	ON
[1] <i>One-Touch Regular Arming</i>	<input type="checkbox"/> Disabled	<input type="checkbox"/> Enabled
[2] <i>One-Touch Stay Arming</i>	<input type="checkbox"/> Disabled	<input type="checkbox"/> Enabled
[3] <i>One-Touch Instant Arming</i>	<input type="checkbox"/> Disabled	<input type="checkbox"/> Enabled
[4] <i>One-Touch Force Arming</i>	<input type="checkbox"/> Disabled	<input type="checkbox"/> Enabled
[5] <i>One-Touch Stay or Instant Disarming</i>	<input type="checkbox"/> Disabled	<input type="checkbox"/> Enabled
[6] <i>One-Touch Bypass Programming</i>	<input type="checkbox"/> Disabled	<input type="checkbox"/> Enabled
[7] <i>One-Touch Event Display</i>	<input type="checkbox"/> Disabled	<input type="checkbox"/> Enabled
[8] <i>No Exit Delay when arming with remote control</i>	<input type="checkbox"/> Disabled	<input type="checkbox"/> Enabled

* If the keypad is assigned to more than one partition, the feature must be enabled in all the keypad's partitions.

Dialer Options

Bold = Default setting

SECTION [521]: Dialer Options

Option	OFF	ON
[1]&[2]	Telephone Line Monitoring (TLM) Options	
	[1]	[2]
	OFF	OFF Disabled (default)
	OFF	ON When armed: GENERATES AUDIBLE ALARM
	ON	OFF When armed: GENERATES TROUBLE ONLY
	ON	ON TLM silent alarm BECOMES AUDIBLE ALARM
[3]	<input type="checkbox"/> Disabled	<input type="checkbox"/> Enabled
[4]	<input type="checkbox"/> Pulse	<input type="checkbox"/> Tone (DTMF)
[5]	<input type="checkbox"/> 1:2 (Europe)	<input type="checkbox"/> 1:1.5 (North America)
[6]	<input type="checkbox"/> Disabled	<input type="checkbox"/> Enabled
[7]	<input type="checkbox"/> Disabled	<input type="checkbox"/> Enabled
[8]	<input type="checkbox"/> Disabled	<input type="checkbox"/> Enabled

SECTION [522]: Dialer Options

Option	OFF	ON
[1]	<input type="checkbox"/> Disabled	<input type="checkbox"/> Enabled
[2]	<input type="checkbox"/> Disabled	<input type="checkbox"/> Enabled
[3]	<input type="checkbox"/> Disabled	<input type="checkbox"/> Enabled
[4]	<input type="checkbox"/> Disabled	<input type="checkbox"/> Enabled
[5]	<input type="checkbox"/> N/A	<input type="checkbox"/> N/A
[6]	<input type="checkbox"/> Disabled	<input type="checkbox"/> Enabled
[7]	<input type="checkbox"/> Force dial if no dial tone	<input type="checkbox"/> Hang-up if no dial tone
[8]	<input type="checkbox"/> On bell cut-off	<input type="checkbox"/> On zone closure

Partition 1: Event Call Direction

Bold = Default setting

SECTION [523]: ARMING AND DISARMING REPORT CODES (PARTITION 1)

Option	OFF	ON
[1] Call Telephone Number 1 (see section [561])	<input type="checkbox"/> Disabled	<input type="checkbox"/> Enabled
[2] Call Telephone Number 2 (see section [562])	<input type="checkbox"/> Disabled	<input type="checkbox"/> Enabled
[3] Call Telephone Number 3 (see section [563])	<input type="checkbox"/> Disabled	<input type="checkbox"/> Enabled
[4] Call Telephone Number 4 (see section [564])	<input type="checkbox"/> Disabled	<input type="checkbox"/> Enabled
[5] Backup on Telephone Number 1	<input type="checkbox"/> Disabled	<input type="checkbox"/> Enabled
[6] Backup on Telephone Number 2	<input type="checkbox"/> Disabled	<input type="checkbox"/> Enabled
[7] Backup on Telephone Number 3	<input type="checkbox"/> Disabled	<input type="checkbox"/> Enabled
[8] Backup on Telephone Number 4	<input type="checkbox"/> Disabled	<input type="checkbox"/> Enabled

ENABLE ONLY ONE

SECTION [524]: ALARM AND ALARM RESTORE REPORT CODES (PARTITION 1)

Option	OFF	ON
[1] Call Telephone Number 1 (see section [561])	<input type="checkbox"/> Disabled	<input type="checkbox"/> Enabled
[2] Call Telephone Number 2 (see section [562])	<input type="checkbox"/> Disabled	<input type="checkbox"/> Enabled
[3] Call Telephone Number 3 (see section [563])	<input type="checkbox"/> Disabled	<input type="checkbox"/> Enabled
[4] Call Telephone Number 4 (see section [564])	<input type="checkbox"/> Disabled	<input type="checkbox"/> Enabled
[5] Backup on Telephone Number 1	<input type="checkbox"/> Disabled	<input type="checkbox"/> Enabled
[6] Backup on Telephone Number 2	<input type="checkbox"/> Disabled	<input type="checkbox"/> Enabled
[7] Backup on Telephone Number 3	<input type="checkbox"/> Disabled	<input type="checkbox"/> Enabled
[8] Backup on Telephone Number 4	<input type="checkbox"/> Disabled	<input type="checkbox"/> Enabled

ENABLE ONLY ONE

SECTION [525]: TAMPER AND TAMPER RESTORE REPORT CODES (PARTITION 1)

Option	OFF	ON
[1] Call Telephone Number 1 (see section [561])	<input type="checkbox"/> Disabled	<input type="checkbox"/> Enabled
[2] Call Telephone Number 2 (see section [562])	<input type="checkbox"/> Disabled	<input type="checkbox"/> Enabled
[3] Call Telephone Number 3 (see section [563])	<input type="checkbox"/> Disabled	<input type="checkbox"/> Enabled
[4] Call Telephone Number 4 (see section [564])	<input type="checkbox"/> Disabled	<input type="checkbox"/> Enabled
[5] Backup on Telephone Number 1	<input type="checkbox"/> Disabled	<input type="checkbox"/> Enabled
[6] Backup on Telephone Number 2	<input type="checkbox"/> Disabled	<input type="checkbox"/> Enabled
[7] Backup on Telephone Number 3	<input type="checkbox"/> Disabled	<input type="checkbox"/> Enabled
[8] Backup on Telephone Number 4	<input type="checkbox"/> Disabled	<input type="checkbox"/> Enabled

ENABLE ONLY ONE

Partition 2: Event Call Direction

Bold = Default setting

SECTION [526]: ARMING AND DISARMING REPORT CODES (PARTITION 2)

Option	OFF	ON
[1] <i>Call Telephone Number 1 (see section [561])</i>	<input type="checkbox"/> Disabled	<input type="checkbox"/> Enabled
[2] <i>Call Telephone Number 2 (see section [562])</i>	<input type="checkbox"/> Disabled	<input type="checkbox"/> Enabled
[3] <i>Call Telephone Number 3 (see section [563])</i>	<input type="checkbox"/> Disabled	<input type="checkbox"/> Enabled
[4] <i>Call Telephone Number 4 (see section [564])</i>	<input type="checkbox"/> Disabled	<input type="checkbox"/> Enabled
[5] <i>Backup on Telephone Number 1</i>	<input type="checkbox"/> Disabled	<input type="checkbox"/> Enabled
[6] <i>Backup on Telephone Number 2</i>	<input type="checkbox"/> Disabled	<input type="checkbox"/> Enabled
[7] <i>Backup on Telephone Number 3</i>	<input type="checkbox"/> Disabled	<input type="checkbox"/> Enabled
[8] <i>Backup on Telephone Number 4</i>	<input type="checkbox"/> Disabled	<input type="checkbox"/> Enabled

→ ENABLE ONLY ONE

SECTION [527]: ALARM AND ALARM RESTORE REPORT CODES (PARTITION 2)

Option	OFF	ON
[1] <i>Call Telephone Number 1 (see section [561])</i>	<input type="checkbox"/> Disabled	<input type="checkbox"/> Enabled
[2] <i>Call Telephone Number 2 (see section [562])</i>	<input type="checkbox"/> Disabled	<input type="checkbox"/> Enabled
[3] <i>Call Telephone Number 3 (see section [563])</i>	<input type="checkbox"/> Disabled	<input type="checkbox"/> Enabled
[4] <i>Call Telephone Number 4 (see section [564])</i>	<input type="checkbox"/> Disabled	<input type="checkbox"/> Enabled
[5] <i>Backup on Telephone Number 1</i>	<input type="checkbox"/> Disabled	<input type="checkbox"/> Enabled
[6] <i>Backup on Telephone Number 2</i>	<input type="checkbox"/> Disabled	<input type="checkbox"/> Enabled
[7] <i>Backup on Telephone Number 3</i>	<input type="checkbox"/> Disabled	<input type="checkbox"/> Enabled
[8] <i>Backup on Telephone Number 4</i>	<input type="checkbox"/> Disabled	<input type="checkbox"/> Enabled

→ ENABLE ONLY ONE

SECTION [528]: TAMPER AND TAMPER RESTORE REPORT CODES (PARTITION 2)

Option	OFF	ON
[1] <i>Call Telephone Number 1 (see section [561])</i>	<input type="checkbox"/> Disabled	<input type="checkbox"/> Enabled
[2] <i>Call Telephone Number 2 (see section [562])</i>	<input type="checkbox"/> Disabled	<input type="checkbox"/> Enabled
[3] <i>Call Telephone Number 3 (see section [563])</i>	<input type="checkbox"/> Disabled	<input type="checkbox"/> Enabled
[4] <i>Call Telephone Number 4 (see section [564])</i>	<input type="checkbox"/> Disabled	<input type="checkbox"/> Enabled
[5] <i>Backup on Telephone Number 1</i>	<input type="checkbox"/> Disabled	<input type="checkbox"/> Enabled
[6] <i>Backup on Telephone Number 2</i>	<input type="checkbox"/> Disabled	<input type="checkbox"/> Enabled
[7] <i>Backup on Telephone Number 3</i>	<input type="checkbox"/> Disabled	<input type="checkbox"/> Enabled
[8] <i>Backup on Telephone Number 4</i>	<input type="checkbox"/> Disabled	<input type="checkbox"/> Enabled

→ ENABLE ONLY ONE

Partition 3: Event Call Direction

Bold = Default setting

SECTION [529]: ARMING AND DISARMING REPORT CODES (PARTITION 3)

Option	OFF	ON
[1] Call Telephone Number 1 (see section [561])	<input type="checkbox"/> Disabled	<input type="checkbox"/> Enabled
[2] Call Telephone Number 2 (see section [562])	<input type="checkbox"/> Disabled	<input type="checkbox"/> Enabled
[3] Call Telephone Number 3 (see section [563])	<input type="checkbox"/> Disabled	<input type="checkbox"/> Enabled
[4] Call Telephone Number 4 (see section [564])	<input type="checkbox"/> Disabled	<input type="checkbox"/> Enabled
[5] Backup on Telephone Number 1	<input type="checkbox"/> Disabled	<input type="checkbox"/> Enabled
[6] Backup on Telephone Number 2	<input type="checkbox"/> Disabled	<input type="checkbox"/> Enabled
[7] Backup on Telephone Number 3	<input type="checkbox"/> Disabled	<input type="checkbox"/> Enabled
[8] Backup on Telephone Number 4	<input type="checkbox"/> Disabled	<input type="checkbox"/> Enabled

ENABLE ONLY ONE

SECTION [530]: ALARM AND ALARM RESTORE REPORT CODES (PARTITION 3)

Option	OFF	ON
[1] Call Telephone Number 1 (see section [561])	<input type="checkbox"/> Disabled	<input type="checkbox"/> Enabled
[2] Call Telephone Number 2 (see section [562])	<input type="checkbox"/> Disabled	<input type="checkbox"/> Enabled
[3] Call Telephone Number 3 (see section [563])	<input type="checkbox"/> Disabled	<input type="checkbox"/> Enabled
[4] Call Telephone Number 4 (see section [564])	<input type="checkbox"/> Disabled	<input type="checkbox"/> Enabled
[5] Backup on Telephone Number 1	<input type="checkbox"/> Disabled	<input type="checkbox"/> Enabled
[6] Backup on Telephone Number 2	<input type="checkbox"/> Disabled	<input type="checkbox"/> Enabled
[7] Backup on Telephone Number 3	<input type="checkbox"/> Disabled	<input type="checkbox"/> Enabled
[8] Backup on Telephone Number 4	<input type="checkbox"/> Disabled	<input type="checkbox"/> Enabled

ENABLE ONLY ONE

SECTION [531]: TAMPER AND TAMPER RESTORE REPORT CODES (PARTITION 3)

Option	OFF	ON
[1] Call Telephone Number 1 (see section [561])	<input type="checkbox"/> Disabled	<input type="checkbox"/> Enabled
[2] Call Telephone Number 2 (see section [562])	<input type="checkbox"/> Disabled	<input type="checkbox"/> Enabled
[3] Call Telephone Number 3 (see section [563])	<input type="checkbox"/> Disabled	<input type="checkbox"/> Enabled
[4] Call Telephone Number 4 (see section [564])	<input type="checkbox"/> Disabled	<input type="checkbox"/> Enabled
[5] Backup on Telephone Number 1	<input type="checkbox"/> Disabled	<input type="checkbox"/> Enabled
[6] Backup on Telephone Number 2	<input type="checkbox"/> Disabled	<input type="checkbox"/> Enabled
[7] Backup on Telephone Number 3	<input type="checkbox"/> Disabled	<input type="checkbox"/> Enabled
[8] Backup on Telephone Number 4	<input type="checkbox"/> Disabled	<input type="checkbox"/> Enabled

ENABLE ONLY ONE

Partition 4: Event Call Direction

Bold = Default setting

SECTION [532]: ARMING AND DISARMING REPORT CODES (PARTITION 4)

Option	OFF	ON
[1] Call Telephone Number 1 (see section [561])	<input type="checkbox"/> Disabled	<input type="checkbox"/> Enabled
[2] Call Telephone Number 2 (see section [562])	<input type="checkbox"/> Disabled	<input type="checkbox"/> Enabled
[3] Call Telephone Number 3 (see section [563])	<input type="checkbox"/> Disabled	<input type="checkbox"/> Enabled
[4] Call Telephone Number 4 (see section [564])	<input type="checkbox"/> Disabled	<input type="checkbox"/> Enabled
[5] Backup on Telephone Number 1	<input type="checkbox"/> Disabled	<input type="checkbox"/> Enabled
[6] Backup on Telephone Number 2	<input type="checkbox"/> Disabled	<input type="checkbox"/> Enabled
[7] Backup on Telephone Number 3	<input type="checkbox"/> Disabled	<input type="checkbox"/> Enabled
[8] Backup on Telephone Number 4	<input type="checkbox"/> Disabled	<input type="checkbox"/> Enabled

→ ENABLE ONLY ONE

SECTION [533]: ALARM AND ALARM RESTORE REPORT CODES (PARTITION 4)

Option	OFF	ON
[1] Call Telephone Number 1 (see section [561])	<input type="checkbox"/> Disabled	<input type="checkbox"/> Enabled
[2] Call Telephone Number 2 (see section [562])	<input type="checkbox"/> Disabled	<input type="checkbox"/> Enabled
[3] Call Telephone Number 3 (see section [563])	<input type="checkbox"/> Disabled	<input type="checkbox"/> Enabled
[4] Call Telephone Number 4 (see section [564])	<input type="checkbox"/> Disabled	<input type="checkbox"/> Enabled
[5] Backup on Telephone Number 1	<input type="checkbox"/> Disabled	<input type="checkbox"/> Enabled
[6] Backup on Telephone Number 2	<input type="checkbox"/> Disabled	<input type="checkbox"/> Enabled
[7] Backup on Telephone Number 3	<input type="checkbox"/> Disabled	<input type="checkbox"/> Enabled
[8] Backup on Telephone Number 4	<input type="checkbox"/> Disabled	<input type="checkbox"/> Enabled

→ ENABLE ONLY ONE

SECTION [534]: TAMPER AND TAMPER RESTORE REPORT CODES (PARTITION 4)

Option	OFF	ON
[1] Call Telephone Number 1 (see section [561])	<input type="checkbox"/> Disabled	<input type="checkbox"/> Enabled
[2] Call Telephone Number 2 (see section [562])	<input type="checkbox"/> Disabled	<input type="checkbox"/> Enabled
[3] Call Telephone Number 3 (see section [563])	<input type="checkbox"/> Disabled	<input type="checkbox"/> Enabled
[4] Call Telephone Number 4 (see section [564])	<input type="checkbox"/> Disabled	<input type="checkbox"/> Enabled
[5] Backup on Telephone Number 1	<input type="checkbox"/> Disabled	<input type="checkbox"/> Enabled
[6] Backup on Telephone Number 2	<input type="checkbox"/> Disabled	<input type="checkbox"/> Enabled
[7] Backup on Telephone Number 3	<input type="checkbox"/> Disabled	<input type="checkbox"/> Enabled
[8] Backup on Telephone Number 4	<input type="checkbox"/> Disabled	<input type="checkbox"/> Enabled

→ ENABLE ONLY ONE

System Event Call Direction

Bold = Default setting

SECTION [535]: SYSTEM TROUBLES AND TROUBLE RESTORES

Option	OFF	ON
[1] <i>Call Telephone Number 1 (see section [561])</i>	<input type="checkbox"/> Disabled	<input type="checkbox"/> Enabled
[2] <i>Call Telephone Number 2 (see section [562])</i>	<input type="checkbox"/> Disabled	<input type="checkbox"/> Enabled
[3] <i>Call Telephone Number 3 (see section [563])</i>	<input type="checkbox"/> Disabled	<input type="checkbox"/> Enabled
[4] <i>Call Telephone Number 4 (see section [564])</i>	<input type="checkbox"/> Disabled	<input type="checkbox"/> Enabled
[5] <i>Backup on Telephone Number 1</i>	<input type="checkbox"/> Disabled	<input type="checkbox"/> Enabled
[6] <i>Backup on Telephone Number 2</i>	<input type="checkbox"/> Disabled	<input type="checkbox"/> Enabled
[7] <i>Backup on Telephone Number 3</i>	<input type="checkbox"/> Disabled	<input type="checkbox"/> Enabled
[8] <i>Backup on Telephone Number 4</i>	<input type="checkbox"/> Disabled	<input type="checkbox"/> Enabled

→ ENABLE ONLY ONE

SECTION [536]: SPECIAL REPORTING

Option	OFF	ON
[1] <i>Call Telephone Number 1 (see section [561])</i>	<input type="checkbox"/> Disabled	<input type="checkbox"/> Enabled
[2] <i>Call Telephone Number 2 (see section [562])</i>	<input type="checkbox"/> Disabled	<input type="checkbox"/> Enabled
[3] <i>Call Telephone Number 3 (see section [563])</i>	<input type="checkbox"/> Disabled	<input type="checkbox"/> Enabled
[4] <i>Call Telephone Number 4 (see section [564])</i>	<input type="checkbox"/> Disabled	<input type="checkbox"/> Enabled
[5] <i>Backup on Telephone Number 1</i>	<input type="checkbox"/> Disabled	<input type="checkbox"/> Enabled
[6] <i>Backup on Telephone Number 2</i>	<input type="checkbox"/> Disabled	<input type="checkbox"/> Enabled
[7] <i>Backup on Telephone Number 3</i>	<input type="checkbox"/> Disabled	<input type="checkbox"/> Enabled
[8] <i>Backup on Telephone Number 4</i>	<input type="checkbox"/> Disabled	<input type="checkbox"/> Enabled

→ ENABLE ONLY ONE

Global Access Control Features

SECTION [537]: ACCESS CONTROL

Option	OFF	ON
[1] <i>Access Control Feature</i>	<input type="checkbox"/> Disabled	<input type="checkbox"/> Enabled
[2] <i>Log "Request for Exit" in Event Buffer*</i>	<input type="checkbox"/> Disabled	<input type="checkbox"/> Enabled
[3] <i>Log "Door Left Open Restore" in Event Buffer</i>	<input type="checkbox"/> Disabled	<input type="checkbox"/> Enabled
[4] <i>Log "Door Forced Restore" in Event Buffer</i>	<input type="checkbox"/> Disabled	<input type="checkbox"/> Enabled
[5] <i>Burglar Alarm on Forced Door</i>	<input type="checkbox"/> Disabled	<input type="checkbox"/> Enabled
[6] <i>Skip Exit Delay when Arming with Card</i>	<input type="checkbox"/> Disabled	<input type="checkbox"/> Enabled
[7] <i>Future Use</i>	<input type="checkbox"/> N/A	<input type="checkbox"/> N/A
[8] <i>Access to Doors During Clock Loss and Clock Resetting</i>	<input type="checkbox"/> Granted to all users	<input type="checkbox"/> Granted Only to Masters



*Since "Request for Exit" events can occur often, the Event Buffer may fill up quickly.

Report Codes

Each section from [600] to [718] contains up to four reportable events as defined on the following pages.

Ademco slow, Silent Knight fast, SESCOA, Ademco express or Pager formats:

Key-in desired 1 or 2-digit hexa values from 0 to FF.

Ademco format:

Use sections [790] to [795] to program a set of default Ademco report codes from the "Automatic Report Code List" on page 35. Then to program the remaining report codes or to change some of the defaults, enter the individual sections and key-in the desired 2-digit hexa values found in the "Contact ID Report Code List" on page 37.

SIA format:

Use sections [790] to [795] to program a set of default SIA report codes from the "Automatic Report Code List" on page 35. Codes that have not been set to default can be set to default manually by entering FF in the appropriate section. To disable reporting of an event, enter 00 in the appropriate section.

ARMING REPORT CODES

[600]: __ / __ Access code 1
__ / __ Access code 2
__ / __ Access code 3
__ / __ Access code 4

[608]: __ / __ Access code 33
__ / __ Access code 34
__ / __ Access code 35
__ / __ Access code 36

[616]: __ / __ Access code 65
__ / __ Access code 66
__ / __ Access code 67
__ / __ Access code 68

[601]: __ / __ Access code 5
__ / __ Access code 6
__ / __ Access code 7
__ / __ Access code 8

[609]: __ / __ Access code 37
__ / __ Access code 38
__ / __ Access code 39
__ / __ Access code 40

[617]: __ / __ Access code 69
__ / __ Access code 70
__ / __ Access code 71
__ / __ Access code 72

[602]: __ / __ Access code 9
__ / __ Access code 10
__ / __ Access code 11
__ / __ Access code 12

[610]: __ / __ Access code 41
__ / __ Access code 42
__ / __ Access code 43
__ / __ Access code 44

[618]: __ / __ Access code 73
__ / __ Access code 74
__ / __ Access code 75
__ / __ Access code 76

[603]: __ / __ Access code 13
__ / __ Access code 14
__ / __ Access code 15
__ / __ Access code 16

[611]: __ / __ Access code 45
__ / __ Access code 46
__ / __ Access code 47
__ / __ Access code 48

[619]: __ / __ Access code 77
__ / __ Access code 78
__ / __ Access code 79
__ / __ Access code 80

[604]: __ / __ Access code 17
__ / __ Access code 18
__ / __ Access code 19
__ / __ Access code 20

[612]: __ / __ Access code 49
__ / __ Access code 50
__ / __ Access code 51
__ / __ Access code 52

[620]: __ / __ Access code 81
__ / __ Access code 82
__ / __ Access code 83
__ / __ Access code 84

[605]: __ / __ Access code 21
__ / __ Access code 22
__ / __ Access code 23
__ / __ Access code 24

[613]: __ / __ Access code 53
__ / __ Access code 54
__ / __ Access code 55
__ / __ Access code 56

[621]: __ / __ Access code 85
__ / __ Access code 86
__ / __ Access code 87
__ / __ Access code 88

[606]: __ / __ Access code 25
__ / __ Access code 26
__ / __ Access code 27
__ / __ Access code 28

[614]: __ / __ Access code 57
__ / __ Access code 58
__ / __ Access code 59
__ / __ Access code 60

[622]: __ / __ Access code 89
__ / __ Access code 90
__ / __ Access code 91
__ / __ Access code 92

[607]: __ / __ Access code 29
__ / __ Access code 30
__ / __ Access code 31
__ / __ Access code 32

[615]: __ / __ Access code 61
__ / __ Access code 62
__ / __ Access code 63
__ / __ Access code 64

[623]: __ / __ Access code 93
__ / __ Access code 94
__ / __ Access code 95
__ / __ Access code 96

ARMING REPORT CODES (CON'T)

[624]: __ / __ Keyswitch 1
__ / __ Keyswitch 2
__ / __ Keyswitch 3
__ / __ Keyswitch 4

[625]: __ / __ Keyswitch 5
__ / __ Keyswitch 6
__ / __ Keyswitch 7
__ / __ Keyswitch 8

SPECIAL ARMING CODES

[626]: __ / __ Auto-Arming
__ / __ PC Arming
__ / __ Late to close
__ / __ No Movement

[627]: __ / __ Partial Arming
__ / __ Quick Arming
__ / __ N/A
__ / __ N/A

DISARMING REPORT CODES

[628]: __ / __ Access code 1
__ / __ Access code 2
__ / __ Access code 3
__ / __ Access code 4

[636]: __ / __ Access code 33
__ / __ Access code 34
__ / __ Access code 35
__ / __ Access code 36

[644]: __ / __ Access code 65
__ / __ Access code 66
__ / __ Access code 67
__ / __ Access code 68

[629]: __ / __ Access code 5
__ / __ Access code 6
__ / __ Access code 7
__ / __ Access code 8

[637]: __ / __ Access code 37
__ / __ Access code 38
__ / __ Access code 39
__ / __ Access code 40

[645]: __ / __ Access code 69
__ / __ Access code 70
__ / __ Access code 71
__ / __ Access code 72

[630]: __ / __ Access code 9
__ / __ Access code 10
__ / __ Access code 11
__ / __ Access code 12

[638]: __ / __ Access code 41
__ / __ Access code 42
__ / __ Access code 43
__ / __ Access code 44

[646]: __ / __ Access code 73
__ / __ Access code 74
__ / __ Access code 75
__ / __ Access code 76

[631]: __ / __ Access code 13
__ / __ Access code 14
__ / __ Access code 15
__ / __ Access code 16

[639]: __ / __ Access code 45
__ / __ Access code 46
__ / __ Access code 47
__ / __ Access code 48

[647]: __ / __ Access code 77
__ / __ Access code 78
__ / __ Access code 79
__ / __ Access code 80

[632]: __ / __ Access code 17
__ / __ Access code 18
__ / __ Access code 19
__ / __ Access code 20

[640]: __ / __ Access code 49
__ / __ Access code 50
__ / __ Access code 51
__ / __ Access code 52

[648]: __ / __ Access code 81
__ / __ Access code 82
__ / __ Access code 83
__ / __ Access code 84

[633]: __ / __ Access code 21
__ / __ Access code 22
__ / __ Access code 23
__ / __ Access code 24

[641]: __ / __ Access code 53
__ / __ Access code 54
__ / __ Access code 55
__ / __ Access code 56

[649]: __ / __ Access code 85
__ / __ Access code 86
__ / __ Access code 87
__ / __ Access code 88

[634]: __ / __ Access code 25
__ / __ Access code 26
__ / __ Access code 27
__ / __ Access code 28

[642]: __ / __ Access code 57
__ / __ Access code 58
__ / __ Access code 59
__ / __ Access code 60

[650]: __ / __ Access code 89
__ / __ Access code 90
__ / __ Access code 91
__ / __ Access code 92

[635]: __ / __ Access code 29
__ / __ Access code 30
__ / __ Access code 31
__ / __ Access code 32

[643]: __ / __ Access code 61
__ / __ Access code 62
__ / __ Access code 63
__ / __ Access code 64

[651]: __ / __ Access code 93
__ / __ Access code 94
__ / __ Access code 95
__ / __ Access code 96

DISARMING REPORT CODES (CON'T)

[652]: __ / __ Keyswitch 1
__ / __ Keyswitch 2
__ / __ Keyswitch 3
__ / __ Keyswitch 4

[653]: __ / __ Keyswitch 5
__ / __ Keyswitch 6
__ / __ Keyswitch 7
__ / __ Keyswitch 8

SPECIAL DISARMING CODES

[654]: __ / __ Cancel Auto-arm
__ / __ Quick Disarm
__ / __ PC disarm
__ / __ N/A

ALARM REPORT CODES

[655]: __ / __ Zone 1
__ / __ Zone 2
__ / __ Zone 3
__ / __ Zone 4

[659]: __ / __ Zone 17
__ / __ Zone 18
__ / __ Zone 19
__ / __ Zone 20

[663]: __ / __ Zone 33
__ / __ Zone 34
__ / __ Zone 35
__ / __ Zone 36

[656]: __ / __ Zone 5
__ / __ Zone 6
__ / __ Zone 7
__ / __ Zone 8

[660]: __ / __ Zone 21
__ / __ Zone 22
__ / __ Zone 23
__ / __ Zone 24

[664]: __ / __ Zone 37
__ / __ Zone 38
__ / __ Zone 39
__ / __ Zone 40

[657]: __ / __ Zone 9
__ / __ Zone 10
__ / __ Zone 11
__ / __ Zone 12

[661]: __ / __ Zone 25
__ / __ Zone 26
__ / __ Zone 27
__ / __ Zone 28

[665]: __ / __ Zone 41
__ / __ Zone 42
__ / __ Zone 43
__ / __ Zone 44

[658]: __ / __ Zone 13
__ / __ Zone 14
__ / __ Zone 15
__ / __ Zone 16

[662]: __ / __ Zone 29
__ / __ Zone 30
__ / __ Zone 31
__ / __ Zone 32

[666]: __ / __ Zone 45
__ / __ Zone 46
__ / __ Zone 47
__ / __ Zone 48

ALARM RESTORE REPORT CODES

[667]: __ / __ Zone 1
__ / __ Zone 2
__ / __ Zone 3
__ / __ Zone 4

[671]: __ / __ Zone 17
__ / __ Zone 18
__ / __ Zone 19
__ / __ Zone 20

[675]: __ / __ Zone 33
__ / __ Zone 34
__ / __ Zone 35
__ / __ Zone 36

[668]: __ / __ Zone 5
__ / __ Zone 6
__ / __ Zone 7
__ / __ Zone 8

[672]: __ / __ Zone 21
__ / __ Zone 22
__ / __ Zone 23
__ / __ Zone 24

[676]: __ / __ Zone 37
__ / __ Zone 38
__ / __ Zone 39
__ / __ Zone 40

[669]: __ / __ Zone 9
__ / __ Zone 10
__ / __ Zone 11
__ / __ Zone 12

[673]: __ / __ Zone 25
__ / __ Zone 26
__ / __ Zone 27
__ / __ Zone 28

[677]: __ / __ Zone 41
__ / __ Zone 42
__ / __ Zone 43
__ / __ Zone 44

[670]: __ / __ Zone 13
__ / __ Zone 14
__ / __ Zone 15
__ / __ Zone 16

[674]: __ / __ Zone 29
__ / __ Zone 30
__ / __ Zone 31
__ / __ Zone 32

[678]: __ / __ Zone 45
__ / __ Zone 46
__ / __ Zone 47
__ / __ Zone 48

SPECIAL ALARM REPORT CODES

[679]: __ / __ Emergency Panic
__ / __ Auxiliary Panic
__ / __ Fire Panic
__ / __ Recent Closing

[680]: __ / __ N/A
__ / __ Auto Zone Shutdown
__ / __ N/A
__ / __ Duress

ZONE TAMPER REPORT CODES

[681]: __ / __ Zone 1
__ / __ Zone 2
__ / __ Zone 3
__ / __ Zone 4

[685]: __ / __ Zone 17
__ / __ Zone 18
__ / __ Zone 19
__ / __ Zone 20

[689]: __ / __ Zone 33
__ / __ Zone 34
__ / __ Zone 35
__ / __ Zone 36

[682]: __ / __ Zone 5
__ / __ Zone 6
__ / __ Zone 7
__ / __ Zone 8

[686]: __ / __ Zone 21
__ / __ Zone 22
__ / __ Zone 23
__ / __ Zone 24

[690]: __ / __ Zone 37
__ / __ Zone 38
__ / __ Zone 39
__ / __ Zone 40

[683]: __ / __ Zone 9
__ / __ Zone 10
__ / __ Zone 11
__ / __ Zone 12

[687]: __ / __ Zone 25
__ / __ Zone 26
__ / __ Zone 27
__ / __ Zone 28

[691]: __ / __ Zone 41
__ / __ Zone 42
__ / __ Zone 43
__ / __ Zone 44

[684]: __ / __ Zone 13
__ / __ Zone 14
__ / __ Zone 15
__ / __ Zone 16

[688]: __ / __ Zone 29
__ / __ Zone 30
__ / __ Zone 31
__ / __ Zone 32

[692]: __ / __ Zone 45
__ / __ Zone 46
__ / __ Zone 47
__ / __ Zone 48

ZONE TAMPER RESTORE REPORT CODES

[693]: __ / __ Zone 1
__ / __ Zone 2
__ / __ Zone 3
__ / __ Zone 4

[697]: __ / __ Zone 17
__ / __ Zone 18
__ / __ Zone 19
__ / __ Zone 20

[701]: __ / __ Zone 33
__ / __ Zone 34
__ / __ Zone 35
__ / __ Zone 36

[694]: __ / __ Zone 5
__ / __ Zone 6
__ / __ Zone 7
__ / __ Zone 8

[698]: __ / __ Zone 21
__ / __ Zone 22
__ / __ Zone 23
__ / __ Zone 24

[702]: __ / __ Zone 37
__ / __ Zone 38
__ / __ Zone 39
__ / __ Zone 40

[695]: __ / __ Zone 9
__ / __ Zone 10
__ / __ Zone 11
__ / __ Zone 12

[699]: __ / __ Zone 25
__ / __ Zone 26
__ / __ Zone 27
__ / __ Zone 28

[703]: __ / __ Zone 41
__ / __ Zone 42
__ / __ Zone 43
__ / __ Zone 44

[696]: __ / __ Zone 13
__ / __ Zone 14
__ / __ Zone 15
__ / __ Zone 16

[700]: __ / __ Zone 29
__ / __ Zone 30
__ / __ Zone 31
__ / __ Zone 32

[704]: __ / __ Zone 45
__ / __ Zone 46
__ / __ Zone 47
__ / __ Zone 48

SPECIAL TAMPER REPORT CODES

[705]: __ / __ Keypad Lock Out
__ / __ N/A
__ / __ N/A
__ / __ N/A

SYSTEM TROUBLE REPORT CODES

[706]:	<input type="checkbox"/> / <input type="checkbox"/> N/A	[708]:	<input type="checkbox"/> / <input type="checkbox"/> Bus Fault	[710]:	<input type="checkbox"/> / <input type="checkbox"/> Module auxiliary failure
	<input type="checkbox"/> / <input type="checkbox"/> AC Failure		<input type="checkbox"/> / <input type="checkbox"/> Module tamper		<input type="checkbox"/> / <input type="checkbox"/> Low battery wireless tx.
	<input type="checkbox"/> / <input type="checkbox"/> Battery Failure (disconnect or low)		<input type="checkbox"/> / <input type="checkbox"/> Module ROM check error		<input type="checkbox"/> / <input type="checkbox"/> Wireless transmitter supervision trouble
	<input type="checkbox"/> / <input type="checkbox"/> Auxiliary Supply		<input type="checkbox"/> / <input type="checkbox"/> Module TLM Fail		<input type="checkbox"/> / <input type="checkbox"/> N/A
[707]:	<input type="checkbox"/> / <input type="checkbox"/> Bell Output (disconnect or overload)	[709]:	<input type="checkbox"/> / <input type="checkbox"/> Module fail to com.	[711]:	<input type="checkbox"/> / <input type="checkbox"/> Tel# 1 fail to com.
	<input type="checkbox"/> / <input type="checkbox"/> Timer Loss		<input type="checkbox"/> / <input type="checkbox"/> Printer fault		<input type="checkbox"/> / <input type="checkbox"/> Tel# 2 fail to com.
	<input type="checkbox"/> / <input type="checkbox"/> Fire Loop Trbl.		<input type="checkbox"/> / <input type="checkbox"/> Module AC failure		<input type="checkbox"/> / <input type="checkbox"/> Tel# 3 fail to com.
	<input type="checkbox"/> / <input type="checkbox"/> N/A		<input type="checkbox"/> / <input type="checkbox"/> Module battery failure		<input type="checkbox"/> / <input type="checkbox"/> Tel# 4 fail to com.

SYSTEM TROUBLE RESTORE REPORT CODES

[712]:	<input type="checkbox"/> / <input type="checkbox"/> TLM restore	[714]:	<input type="checkbox"/> / <input type="checkbox"/> Bus fault restore	[716]:	<input type="checkbox"/> / <input type="checkbox"/> Module aux. restore
	<input type="checkbox"/> / <input type="checkbox"/> AC restore		<input type="checkbox"/> / <input type="checkbox"/> Module tamper restore		<input type="checkbox"/> / <input type="checkbox"/> Wireless transmitter battery restore
	<input type="checkbox"/> / <input type="checkbox"/> Battery failure restore (disconnect or low)		<input type="checkbox"/> / <input type="checkbox"/> Module ROM check error restore		<input type="checkbox"/> / <input type="checkbox"/> Wireless transmitter supervision restore
	<input type="checkbox"/> / <input type="checkbox"/> Aux. supply restore		<input type="checkbox"/> / <input type="checkbox"/> Module TLM restore		<input type="checkbox"/> / <input type="checkbox"/> N/A
[713]:	<input type="checkbox"/> / <input type="checkbox"/> Bell output (disconnect or overload) restore	[715]:	<input type="checkbox"/> / <input type="checkbox"/> N/A		
	<input type="checkbox"/> / <input type="checkbox"/> Timer programmed		<input type="checkbox"/> / <input type="checkbox"/> Printer fault restore		
	<input type="checkbox"/> / <input type="checkbox"/> Fire loop restore		<input type="checkbox"/> / <input type="checkbox"/> Module AC restore		
	<input type="checkbox"/> / <input type="checkbox"/> N/A		<input type="checkbox"/> / <input type="checkbox"/> Module battery restore		

SPECIAL REPORT CODES

[717]:	<input type="checkbox"/> / <input type="checkbox"/> Cold start (sys. shutdown)	[718]:	<input type="checkbox"/> / <input type="checkbox"/> N/A
	<input type="checkbox"/> / <input type="checkbox"/> Warm start (sys. reset)		<input type="checkbox"/> / <input type="checkbox"/> PC access finished
	<input type="checkbox"/> / <input type="checkbox"/> Test report		<input type="checkbox"/> / <input type="checkbox"/> Installer in
	<input type="checkbox"/> / <input type="checkbox"/> N/A		<input type="checkbox"/> / <input type="checkbox"/> Installer out

AUTOMATIC REPORT CODE PROGRAMMING

When using Contact ID or SIA Reporting formats (section [550] page 29), default report codes can be programmed automatically. After automatic defaults are set, they can be changed and the remaining report codes can be set manually.

Section #	Description
[790]	ALL CODES
[791]	ARMING & DISARMING CODES
[792]	ALARM & ALARM RESTORE CODES
[793]	TAMPER & TAMPER RESTORE CODES
[794]	TROUBLE & TROUBLE RESTORE CODES
[795]	SPECIAL CODES
[600] to [718]	Sets all the report codes in the following sections to the default values from the "Automatic Report Codes List":
[600] to [654]	
[655] to [680]	
[681] to [705]	
[706] to [716]	
[717] to [718]	

AUTOMATIC REPORT CODE LIST

System Event	Default Contact ID Report Code when using sections [790] to [795]	Default SIA Report Code when using sections [790] to [795]
Arming with Master Code (##)	3 4A1 - Close by user	CL - Closing Report
Arming with User Code (##)	3 4A1 - Close by user	CL - Closing Report
Arming with Keypad (##)	3 4A9 - Keypad Close	CS - Closing Keypad
Auto Arming	3 4A3 - Automatic Close	CA - Automatic Closing
Arm with PC software	3 4A7 - Remote arm/disarm	CL - Closing Report
Late To Close	3 4A4 - Late to Close	OT - Late to Close
No Movement	3 4A4 - Late to Close	NA - No Activity
Partial arming	1 574 - Group bypass	CG - Close Area
Quick arming	3 408 - Quick arm	CL - Closing Report
Disarm with Master Code (##)	1 4A1 - Open by user	OP - Opening Report
Disarm with User Code (##)	1 4A1 - Open by user	OP - Opening Report
Disarm with Keypad (##)	1 4A9 - Keypad Open	OS - Opening Keypad
Disarm after alarm with Master Code (##)	1 4A1 - Open by user	OR - Disarm From Alarm
Disarm after alarm with User Code (##)	1 4A1 - Open by user	OR - Disarm From Alarm
Disarm after alarm with Keypad (##)	1 4A9 - Keypad Open	OS - Opening Keypad
Auto Arming Cancellation	1 4A5 - Deferred Open/Close	CE - Closing Extend
Disarm with PC software	1 4A7 - Remote arm/disarm	OP - Opening Report
Disarm after an alarm with PC software	1 4A7 - Remote arm/disarm	OR - Disarm From Alarm
Quick disarm	1 408 - Quick disarm	OP - Opening Report
Zone Bypassed (##)	1 57A - Zone bypass	UB - Untyped Zone Bypass
Zone alarm (##)	1 13A - Burglary Alarm	BA - Burglary Alarm
Fire alarm (##)	1 11A - Fire alarm	FA - Fire Alarm
Zone alarm restore (##)	3 13A - Burglary Alarm Restore	BH - Burglary Alarm Restore
Fire alarm restore (##)	3 11A - Fire alarm Restore	FH - Fire Alarm Restore
Panic 1 - Emergency	1 12A - Panic alarm	PA - Panic Alarm
Panic 2 - Medical	1 1AA - Medical alarm	MA - Medical Alarm
Panic 3 - Fire	1 115 - Pull Station	FA - Fire Alarm
Recent closing	3 4AA - Open/Close	CR - Recent Closing
Global zone shutdown	1 574 - Group bypass	CG - Close Area
Duress alarm	1 121 - Duress	HA - Hold-up Alarm
Zone shutdown (##)	1 57A - Zone bypass	UB - Untyped Zone Bypass
Zone tampered (##)	1 144 - Sensor tamper	TA - Tamper Alarm
Zone tamper restore (##)	3 144 - Sensor tamper restore	TR - Tamper Restoral
Keypad Lockout	1 421 - Access denied	JA - User Code Tamper
AC Failure	1 3A1 - AC loss	AT - AC Trouble
Battery Failure	1 3A9 - Battery test failure	YT - System Battery Trouble
Auxiliary supply trouble	1 3AA - System trouble	YP - Power Supply Trouble
Bell output current limit	1 321 - Bell 1	YA - Bell Fault
Bell absent	1 321 - Bell 1	YA - Bell Fault
Clock lost	1 626 - Time/Date inaccurate	JT - Time Changed

System Event	Default Contact ID Report Code when using sections [790] to [795]	Default SIA Report Code when using sections [790] to [795]
Fire loop trouble	1 373 - Fire trouble	FT - Fire Trouble
TLM trouble restore	3 351 - Telco 1 fault restore	LR - Phone Line restoral
AC Failure restore	3 3A1 - AC loss restore	AR - AC Restoral
Battery Failure restore	3 3A9 - Battery test restore	YR - System Battery Restoral
Auxiliary supply trouble restore	3 3AA - System trouble restore	YQ - Power Supply restored
Bell output current limit restore	3 321 - Bell 1 restore	YH - Bell Restored
Bell absent restore	3 321 - Bell 1 restore	YH - Bell Restored
Clock programmed	3 625 - Time/Date Reset	JT - Time Changed
Fire loop trouble restore	3 373 - Fire trouble restore	FJ - Fire Trouble Restore
Bus fault	1 333 - Expansion module failure	ET - Expansion Trouble
Module tamper	1 145 - Expansion module tamper	TA - Tamper Alarm
Module ROM_RAM_error	1 3A4 - Rom checksum bad	YF - Parameter Checksum Fail
Module TLM trouble	1 352 - Telco 2 fault	LT - Phone Line trouble
Module fail to communicate to central sta.	1 354 - Fail to communicate	YC - Communication Fails
Printer fault	1 336 - Local printer failure	VT - Printer Trouble
Module AC Failure	1 3A1 - AC loss	AT - AC Trouble
Module battery failure	1 3A9 - Battery test failure	YT - System Battery Trouble
Module Auxiliary supply trouble	1 3AA - System trouble	YP - Power Supply Trouble
Bus fault restore	3 333 - Expansion module failure restore	ER - Expansion Restoral
Module tamper restore	3 145 - Expansion module tamper restore	TR - Tamper Restoral
Module ROM_RAM_error restore	3 3A4 - Rom checksum bad restore	YG - Parameter Changed
Module TLM restore	3 352 - Telco 2 fault restore	LR - Phone Line Restoral
Printer fault restore	3 336 - Local printer failure restore	VR - Printer Restore
Module AC restore	3 3A1 - AC loss restore	AR - AC Restoral
Module battery restore	3 3A9 - Battery test failure restore	YR - System Battery Restoral
Module Auxiliary supply restore	3 3AA - System trouble restore	YQ - Power Supply Restored
Fail to communicate with central station	1 354 - Fail to communicate	YC - Communication Fails
Module RF low battery	1 384 - RF transmitter low battery	XT - Transmitter Battery Trouble
Module RF battery restore	3 384 - RF transmitter battery restore	XR - Transmitter Battery Restoral
Module RF supervision trouble	1 381 - Loss of supervision - RF	US - Untype Zone Supervision
Module RF supervision restore	3 381 - Supervision restore - RF	UR - Untyped Zone Restoral
Cold Start	1 3A8 - System shutdown	RR - Power Up
Warm Start	1 3A5 - System reset	YW - Watchdog Reset
Test Report engaged	1 6A2 - Periodic test report	TX - Test Report
PC software communication finished	1 412 - Successful - download access	RS - Remote Program Success
Installer on site	1 627 - Program mode Entry	LB - Local Program
Installer programming finished	1 628 - Program mode Exit	LS - Local Program Success

CONTACT ID REPORT CODE LIST

If using the Ademco Contact ID format, key in the 2-digit hexadecimal value (PROG. VALUE) to program the desired report codes into sections [600] to [718].

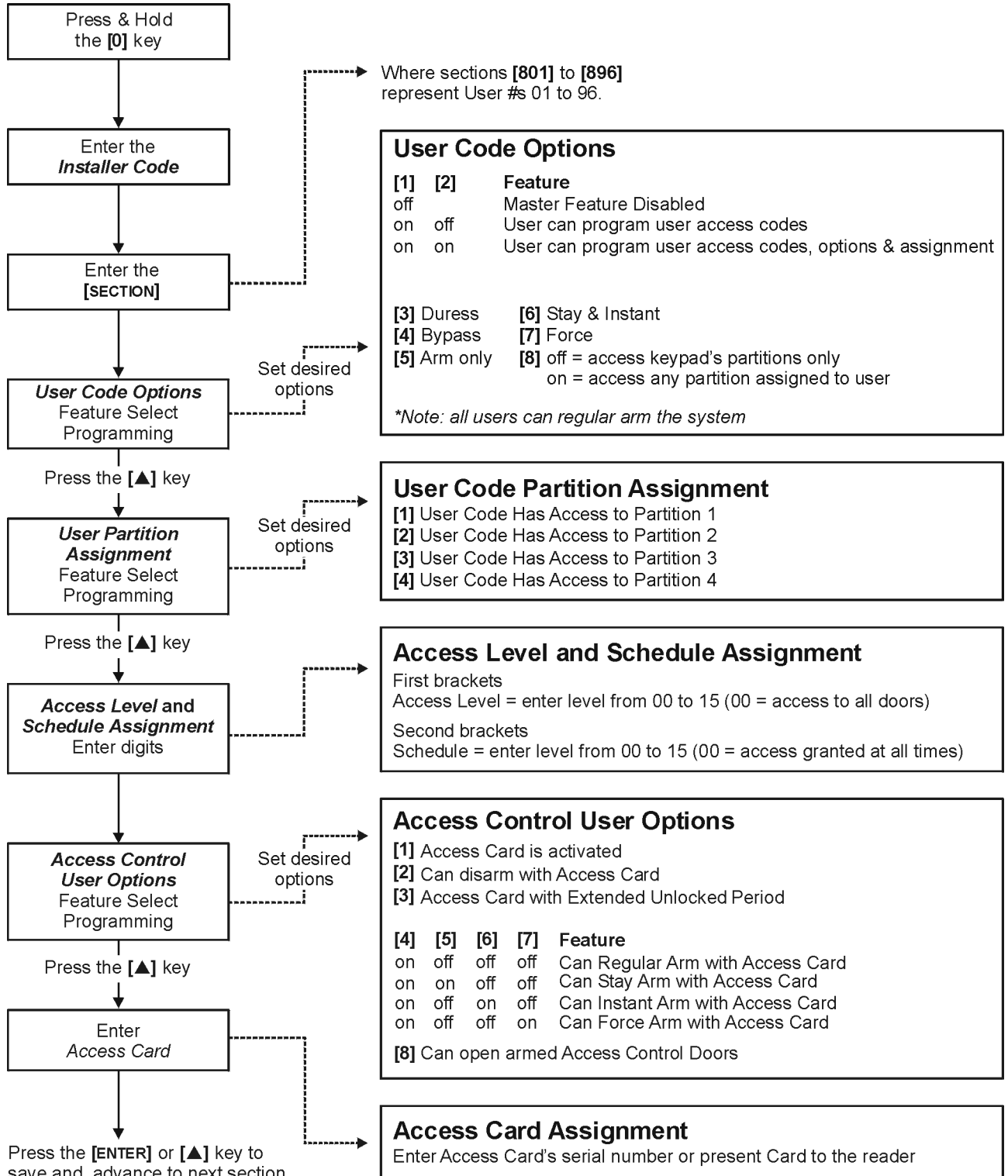
CID#	Reporting Code	Prog. Value	CID#	Reporting Code	Prog. Value	CID#	Reporting Code	Prog. Value
MEDICAL ALARMS - 100			204	Low Water Level	2F	403	Automatic O/C	5D
100	Medical Alarm	01	205	Pump Activated	30	404	Late to O/C	5E
101	Pendant Transmitter	02	206	Pump Failure	31	405	Deferred	5F
102	Fail to Report In	03	SYSTEM TROUBLES - 300 & 310			406	Cancel	60
FIRE ALARMS - 110			300	System Trouble	32	407	Remote Arm/Disarm	61
110	Fire Alarm	04	301	AC Loss	33	408	Quick Arm	62
111	Smoke	05	302	Low System Battery	34	409	Keyswitch O/C	63
112	Combustion	06	303	RAM Checksum Bad	35	REMOTE ACCESS - 410		
113	Water Flow	07	304	ROM Checksum Bad	36	411	Callback Request Made	64
114	Heat	08	305	System Reset	37	412	Success - Download Access	65
115	Pull Station	09	306	Panel Program Changed	38	413	Unsuccessful Access	66
116	Duct	0A	307	Self-Test Failure	39	414	System Shutdown	67
117	Flame	0B	308	System Shutdown	3A	415	Dialer Shutdown	68
118	Near Alarm	0C	309	Battery Test Failure	3B	ACCESS CONTROL - 420		
PANIC ALARMS - 120			310	Ground Fault	3C	421	Access Denied	69
120	Panic Alarm	0D	SOUNDER/RELAY TROUBLES - 320			422	Access Report By User	6A
121	Duress	0E	320	Sounder Relay	3D	SOUNDER RELAY DISABLES - 520		
122	Silent	0F	321	Bell 1	3E	520	Sounder/Relay Disabled	6B
123	Audible	10	322	Bell 2	3F	521	Bell 1 Disable	6C
BURGLAR ALARMS - 130			323	Alarm Relay	40	522	Bell 2 Disable	6D
130	Burglary	11	324	Trouble Relay	41	523	Alarm Relay Disable	6E
131	Perimeter	12	325	Reversing	42	524	Trouble Relay Disable	6F
132	Interior	13	SYSTEM PERIPHERAL TROUBLES - 330 & 340			525	Reversing Relay Disable	70
133	24-Hour	14	330	System Peripheral	43	COMMUNICATION DISABLES - 550 & 560		
134	Entry/Exit	15	331	Polling Loop Open	44	551	Dialer Disabled	71
135	Day/Night	16	332	Polling Loop Short	45	552	Radio xmitter Disabled	72
136	Outdoor	17	333	Exp. Module Failure	46	BYPASSES - 570		
137	Tamper	18	334	Repeater Failure	47	570	Zone Bypass	73
138	Near Alarm	19	335	Local Printer Paper Out	48	571	Fire Bypass	74
GENERAL ALARMS - 140			336	Local Printer Failure	49	572	24-Hour Zone Bypass	75
140	General Alarm	1A	COMMUNICATION TROUBLES - 350 & 360			573	Burg. Bypass	76
141	Polling Loop Open	1B	350	Communication	4A	574	Group Bypass	77
142	Polling Loop Short	1C	351	Telco Fault 1	4B	TEST/MISC. - 600		
143	Expansion Module Failure	1D	352	Telco Fault 2	4C	601	Manual Trigger Test	78
144	Sensor Tamper	1E	353	Long Range Radio	4D	602	Periodic Test Report	79
145	Expansion Module Tamper	1F	354	Fail to Communicate	4E	603	Periodic RF Xmission	7A
24-HOUR NON-BURGLARY - 150 & 160			355	Loss of Radio Supervision	4F	604	Fire Test	7B
150	24-Hour Non-Burglary	20	356	Loss of Central Polling	50	605	Status Report to Follow	7C
151	Gas Detected	21	PROTECTION LOOP TROUBLES - 370			606	Listen-in to Follow	7D
152	Refrigeration	22	370	Protection Loop	51	607	Walk Test Mode	7E
153	Loss of Heat	23	371	Protection Loop Open	52	621	Event Log Reset	7F
154	Water Leakage	24	372	Protection Loop short	53	622	Event Log 50% Full	80
155	Foil Break	25	373	Fire Trouble	54	623	Event Log 90% Full	81
156	Day Trouble	26	SENSOR TROUBLES - 380			624	Event Log Overflow	82
157	Low Bottled Gas Level	27	380	Sensor Trouble	55	625	Time/Date Reset	83
158	High Temp	28	381	Loss of Super. -RF	56	626	Time/Date Inaccurate	84
159	Low Temp	29	382	Loss of Super. - RPM	57	627	Program Mode Entry	85
161	Loss of Air Flow	2A	383	Sensor Tamper	58	628	Program Mode Exit	86
FIRE SUPERVISORY - 200 & 210			384	RF xmtr. Low Battery	59	631	Exception Schedule Change	87
200	Fire Supervisory	2B	OPEN/CLOSE - 400					
201	Low Water Pressure	2C	400	Open/Close	5A			
202	Low CO2	2D	401	O/C by User	5B			
203	Gate Valve Sensor	2E	402	Group O/C	5C			

Other Settings and Modes

Section #	Data	Description	Default
[800]	___/___/___/___/___	INSTALLER CODE	000000

[801] to [896]

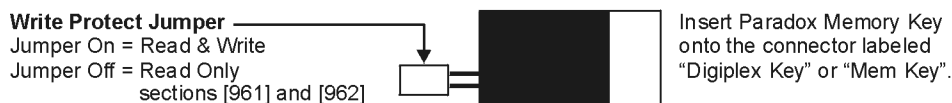
Program User Code Options, Partition Assignment and Access Control features for users 001 to 096. Refer to the appropriate keypad User's Manual for instructions on how certain users can also program these values.



- | Section # | Description |
|-----------|---|
| [900] | <p>Display Serial Number of Control Panel and All Modules Connected to the Bus:
 <i>LCD Keypad:</i> After entering section [900], the keypad will display the eight digit serial number of the control panel. Use the [▲] and [▼] keys to scroll through the serial number of each module connected to the bus.
 <i>LED Keypads:</i> After entering section [900], the control panel's serial number will illuminate one number at a time as you press the [▲] key ([10] LED represents zero). The keypad will emit a confirmation beep to indicate that it is now displaying the serial number of the next module connected to the bus.</p> |
| [950] | <p>Reset System Master Code:
 To reset the System Master Code to 123456 and reset the options to default, put the "reset" jumper to on and enter section [950]. You do not have to remove power from the control panel.</p> |
| [951] | <p>Module Reset:
 Reset a module's programmed contents to default by entering its serial number.</p> |
| [952] | <p>Locate/Unlocate Module:
 Locate a specific module (e.g. detector, zone expander, etc.) connected to the bus by entering the module's serial number. The green "LOCATE" LED on the module will begin to flash until the serial number is re-entered or the appropriate "tamper" or "unlocate" switch on the module is pressed.</p> |
| [953] | <p>Module Programming Mode:
 Enter the serial number of the module you wish to program.</p> |
| [954] | <p>Module Broadcast:
 Copy the contents of all programming sections from one module to one or more modules of the same type. Enter the serial number of the source module, followed by the serial numbers of the modules you wish to program and press [ACC] to begin transfer.
 PLEASE NOTE: The Module Broadcast feature will only work when a module is broadcasting its data to a module or to modules of the same type and model number. For example, an APR-PRT1 (Printer Module) cannot broadcast to an APR3-PRT1. Likewise, a DGP module cannot broadcast to a DGP2 module.</p> |
| [955] | <p>Remove Modules:
 After entering the section, the control panel will scan all modules connected to the bus. If any missing modules are detected (i.e. detector removed from the bus), the control panel will erase the module's serial number, removing the module from the control panel's memory.</p> |

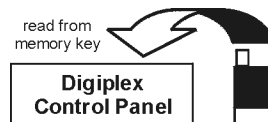
PARADOX MEMORY KEY

- [961] Download from the *Memory Key* to control panel **except** sections [001] to [056].
- [962] Download from the *Memory Key* to control panel **including** sections [001] to [056].
- [965] Copy the control panel sections to the *Memory Key* **except** sections [001] to [056].
- [966] Copy the control panel sections to the *Memory Key* **including** sections [001] to [056].



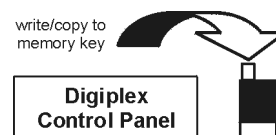
Download Memory Key to Control Panel

- 1) Remove AC and battery power from the control panel you want to program.
- 2) Insert the *Memory Key* onto the control panel's connector labelled "DIGI PLEX KEY".
- 3) Re-apply AC and battery power.
- 4) To download the contents of the *Memory Key* **except** sections [001] to [048] (device serial numbers) and [049] to [056] (Keyswitch serial numbers), enter installer programming mode, then enter section [961]. To download the contents of the *Memory Key* **including** sections [001] to [048] and [049] to [056], enter installer programming mode, then enter section [962].
- 5) When the keypad emits a confirmation beep, **wait 10 seconds** and remove the *Memory Key*.



Copy Control Panel to Memory Key

- 1) Remove AC and battery power from the control panel you want to copy.
- 2) Insert *Memory Key* onto the control panel's connector labelled "DIGI PLEX KEY". Ensure the write protect jumper is on.
- 3) Re-apply AC and battery power.



- 4) To copy the contents to the *Memory Key* **except** sections [001] to [048] (device serial numbers) and [049] to [056] (Keyswitch serial numbers), enter installer programming mode, then enter section [965].
To copy the contents to the *Memory Key* **including** sections [001] to [048] and [049] to [056], enter section [966].
- 5) After the confirmation beep, **wait 10 seconds** and remove the *Memory Key*. Remove the *Memory Key*'s jumper if you do not wish to accidentally overwrite its contents.

SOFTWARE RESET

Performing a software reset will set certain parameters to default values. To do so:

- 1) Make sure the RESET jumper on the control panel is on.
- 2) Enter Programming Mode (see page 1).
- 3) Enter the 3-digit [SECTION] corresponding to the software reset you wish to perform:

Section #	Description
[970]	Entering this section resets all programmable sections from [001] to [896] (except sections [555], [556] and [560]) to factory default values.
[974]	Entering this section resets Access Control sections from [301] to [392] and [537] to factory default values.
[975]	Entering this section resets all Zone and Keyswitch programming sections from [001] to [156] to default.
[976]	Entering this section resets all timers and PGM in sections [200] to [274] and [400] to [452] to default values.
[977]	Entering this section resets system option sections from [500] to [520] to default values.
[978]	Entering this section resets all communication sections from [521] to [718] (except sections [537], [555], [556] and [560]) to default values.
[979]	Entering this section resets all user code sections from [801] to [896] to default values.

Section #	Data	Description	Default
[990]	___/___/___ (147=lock, 000=unlock)	LOCK INSTALLER CODE	000

INSTALLER QUICK FUNCTION KEYS

Press and hold the [0] key and key in the [INSTALLER CODE]. Then press one of the following function keys:

[STAY]	<i>Test Report:</i> Sends the "Test Report" report code programmed in section [717] to the central station.
[FORCE]	<i>Call WinLoad Software:</i> Will dial the PC telephone number programmed in section [560] in order to initiate communication with a computer using the WinLoad Upload/Download software.
[ARM]	<i>Answer WinLoad Software:</i> Will force the control panel to answer a call made by the Central Monitoring Station that is using the WinLoad upload/download software.
[DIS ARM]	<i>Cancel Communication:</i> Cancels all communication with the WinLoad Software or with the Central Station until the next reportable event.
[MEM]	<i>Installer Test Mode:</i> The installer test mode will allow you to perform walk tests where the bell or siren will squawk to indicate opened zones. Press [MEM] again to exit. Partitions can not be armed if the Installer Test Mode is enabled.
[TRBL]	<i>Start Module Scan:</i> The keypad will display the serial number of each module on the bus.
[Acc]	For LCD Keypads (DGP2-641) only <i>Bus Voltmeter:</i> To verify if the bus is supplying sufficient power, press and hold the [0] key, enter the [INSTALLER CODE] and press the [Acc] key from the keypad. A reading of 9.2V indicates that the voltage is too low. The voltage may drop during the control panel battery test.

Power Unit Consumption

Table 1: Power Unit Consumption Table

Description	QTY.	PU used by each	Total PU
LCD Keypads (DGP2-641):	_____	X 60PU =	_____ PU
LED Keypad (DGP2-648):	_____	X 45PU =	_____ PU
Addressable Detectors (DGP2-50/60/70):	_____	X 16PU =	_____ PU
Addressable Door Contacts (DGP2-ZC 1)	_____	X 14PU =	_____ PU
1-Zone Hardwire Modules (DGP2-ZX1)	_____	X 15PU =	_____ PU
4-Zone Hardwire Modules (APR3-ZX4)	_____	X 20PU =	_____ PU
8-Zone Hardwire Modules (APR3-ZX8)	_____	X 40PU =	_____ PU
Omnia Wireless Modules (OMN-RCV3):	_____	X 50PU =	_____ PU
1-PGM Output Modules (APR3-PGM1):	_____	X 50PU =	_____ PU
4-PGM Output Modules (APR3-PGM4):	_____	X 150PU =	_____ PU
Printer Modules (APR3-PRT1)	_____	X 40PU =	_____ PU
InTouch Voice-Assisted Arm/Disarm Modules (APR3-ADM2)	_____	X 70PU =	_____ PU
Access Control Module (DGP2-ACM1P):	_____	X 165PU =	_____ PU
Note: The DGP2-ACM1P consumes 165PU from its own power supply.			
Other devices such as hardwired motion detectors (1mA = 1PU)			_____ PU
Maximum available power units = 700PU		GRAND TOTAL	_____ PU

- STEP 1:** Using Table 1: *Power Unit Consumption Table*, calculate the total number of power units (PU) required by each device, module, and accessory in the system. Please take into account devices connected to the control panel's PGM outputs. Since the BELL output has its own power supply, do not include the sirens connected to it in the calculation
- STEP 2:** If the Grand Total is less than 700PU, go to step 3. If the value is greater, you will require an external power supply (see "External Power Supply" on page 43) to provide the additional power needed. Proceed with step 3.
- STEP 3:** Due to the degradation of a power signal over long distances, **EACH** length or run of wire in the system can support only a specific number of power units (PU). Using Table 2: *Power Unit (PU) Limitations For Each Run of Wire*, determine how many power units each length of wire can support. Please note that the total number of power units (PU) can never surpass 700PU.

Table 2: Power Unit (PU) Limitations For Each Run of Wire

Gauge: 18AWG Surface: 0.823mm ²	
Length of each run of wire	Available Power Units (PU)
100ft. (30m)	700
200ft. (61m)	700
300ft. (91m)	700
400ft. (122m)	700
500ft. (152m)	690
600ft. (183m)	575
700ft. (213m)	493
800ft. (244m)	431
900ft. (383m)	383
1000ft. (305m)	345
1500ft. (457m)	230
2000ft. (610m)	172
2500ft. (762m)	138
3000ft. (914m)	115

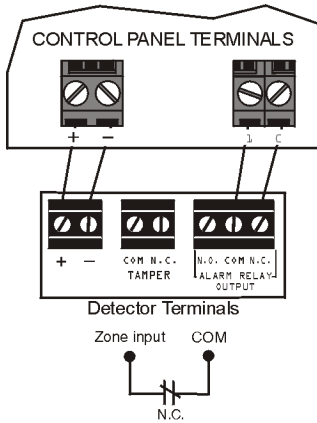
Gauge: 22AWG Surface: 0.326mm ²	
Length of each run of wire	Available Power Units (PU)
100ft. (30m)	700
200ft. (61m)	682
300ft. (91m)	454
400ft. (122m)	341
500ft. (152m)	273
600ft. (183m)	227
700ft. (213m)	195
800ft. (244m)	170
900ft. (383m)	151
1000ft. (305m)	136

Gauge: 24AWG Surface: 0.205mm ²	
Length of each run of wire	Available Power Units (PU)
100ft. (30m)	700
200ft. (61m)	429
300ft. (91m)	286
400ft. (122m)	214
500ft. (152m)	171
600ft. (183m)	143

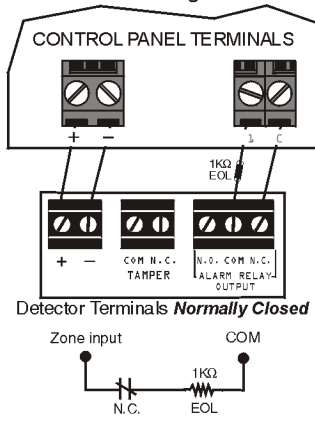
Hardware Connections

SINGLE ZONE INPUTS

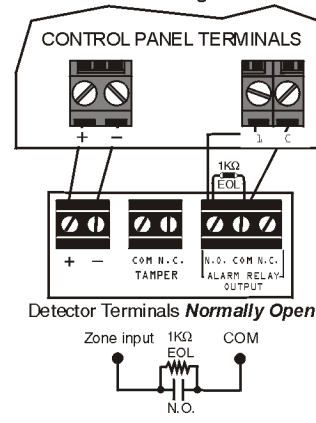
N.C. Contacts, No EOL



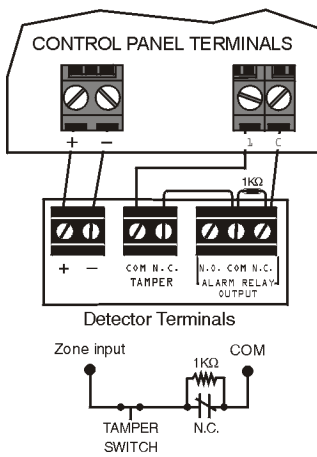
N.C., With EOL
UL/ULC Configuration



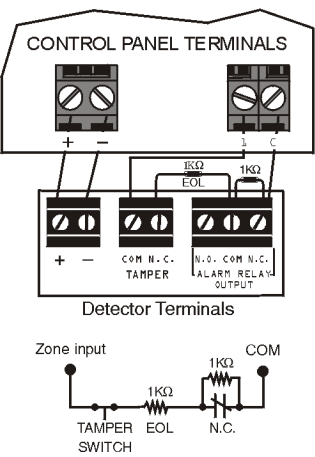
N.O., With EOL
UL/ULC Configuration



N.C. Contacts, No EOL,
With Tamper Recognition

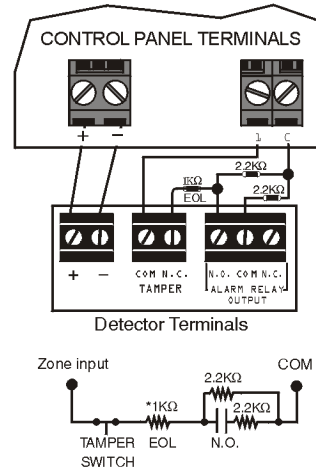


N.C., With EOL, With Tamper &
Wire Fault Recognition (UL/ULC)



N.O., With EOL, With Tamper &
Wire Fault Recognition

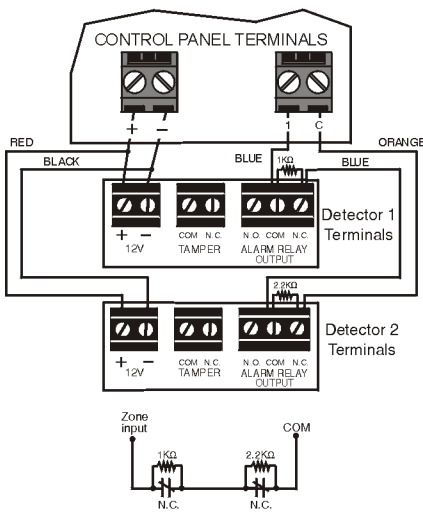
Enable ATZ (option [8] in section [504]) and connect as follows (extra input cannot be used)



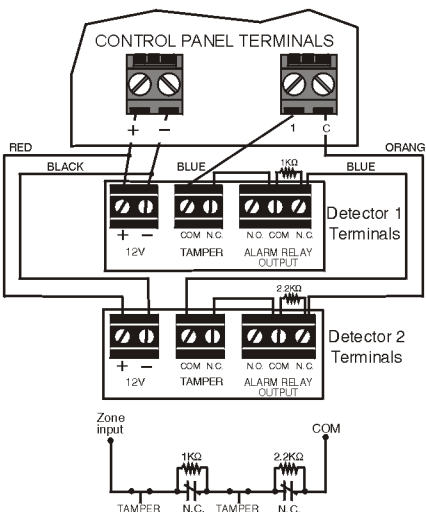
*for installations without EOL, remove the 1KΩ resistor

ATZ - DOUBLE ZONE INPUTS

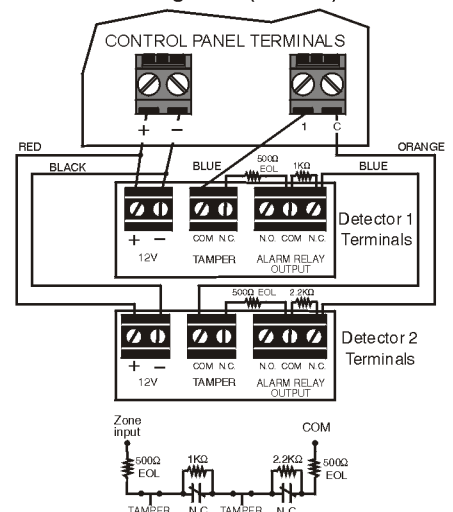
N.C. Contact,
No EOL Resistor



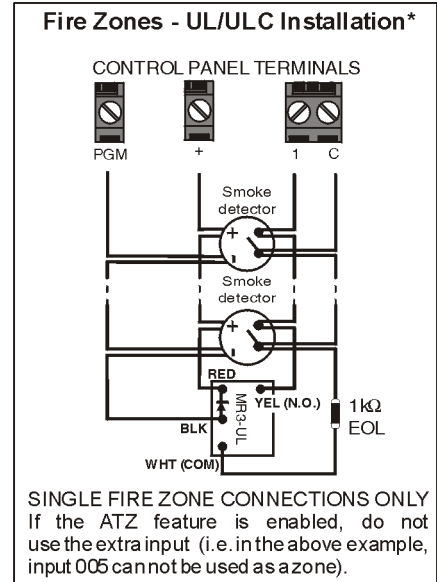
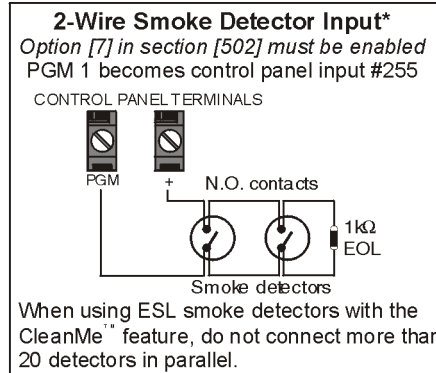
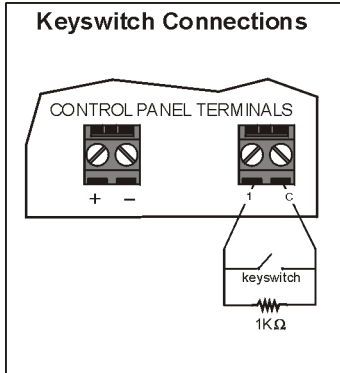
N.C. Contact, No EOL,
With Tamper Recognition



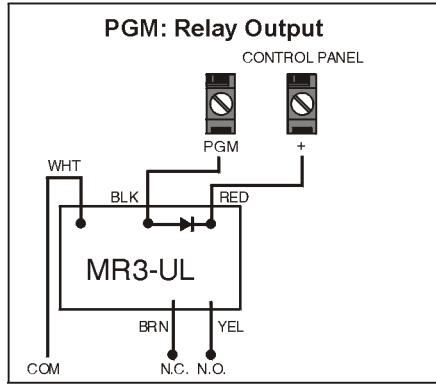
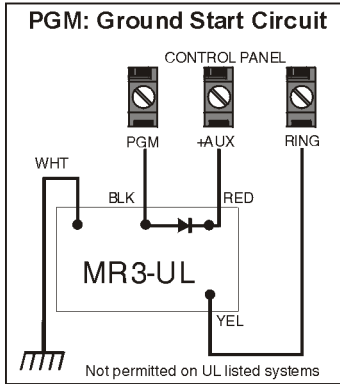
N.C. Contacts, With EOL,
With Tamper & Wire Fault
Recognition (UL/ULC)



CONNECTIONS

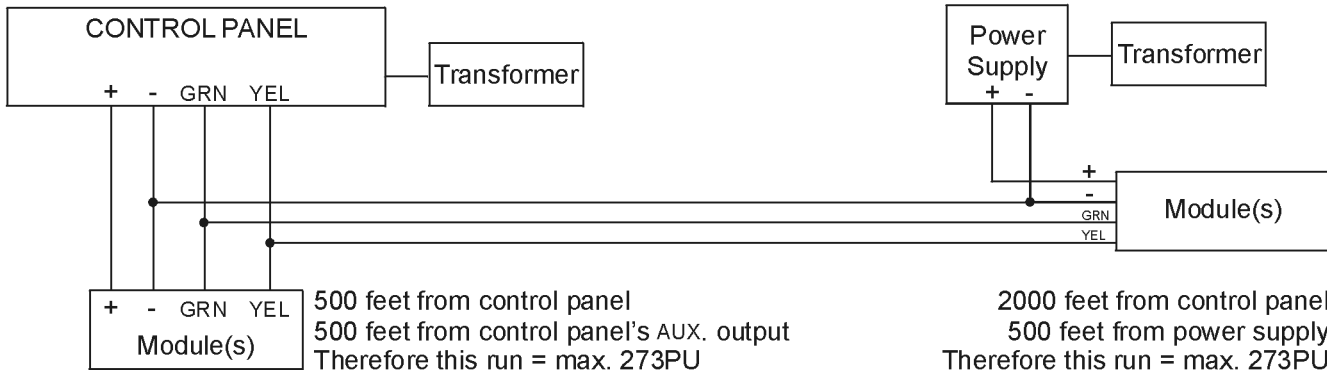


** Note: It is recommended that all 2-wire and 4-wire smoke detectors be connected in a daisy chain configuration.*



EXTERNAL POWER SUPPLY

Power units required by devices connected to a power supply do not draw power from the control panel's auxiliary output.



! *Do not use the same transformer for the control panel and the external power supplies. Modules should never be installed more than 3000 feet (914m) from the control panel.*

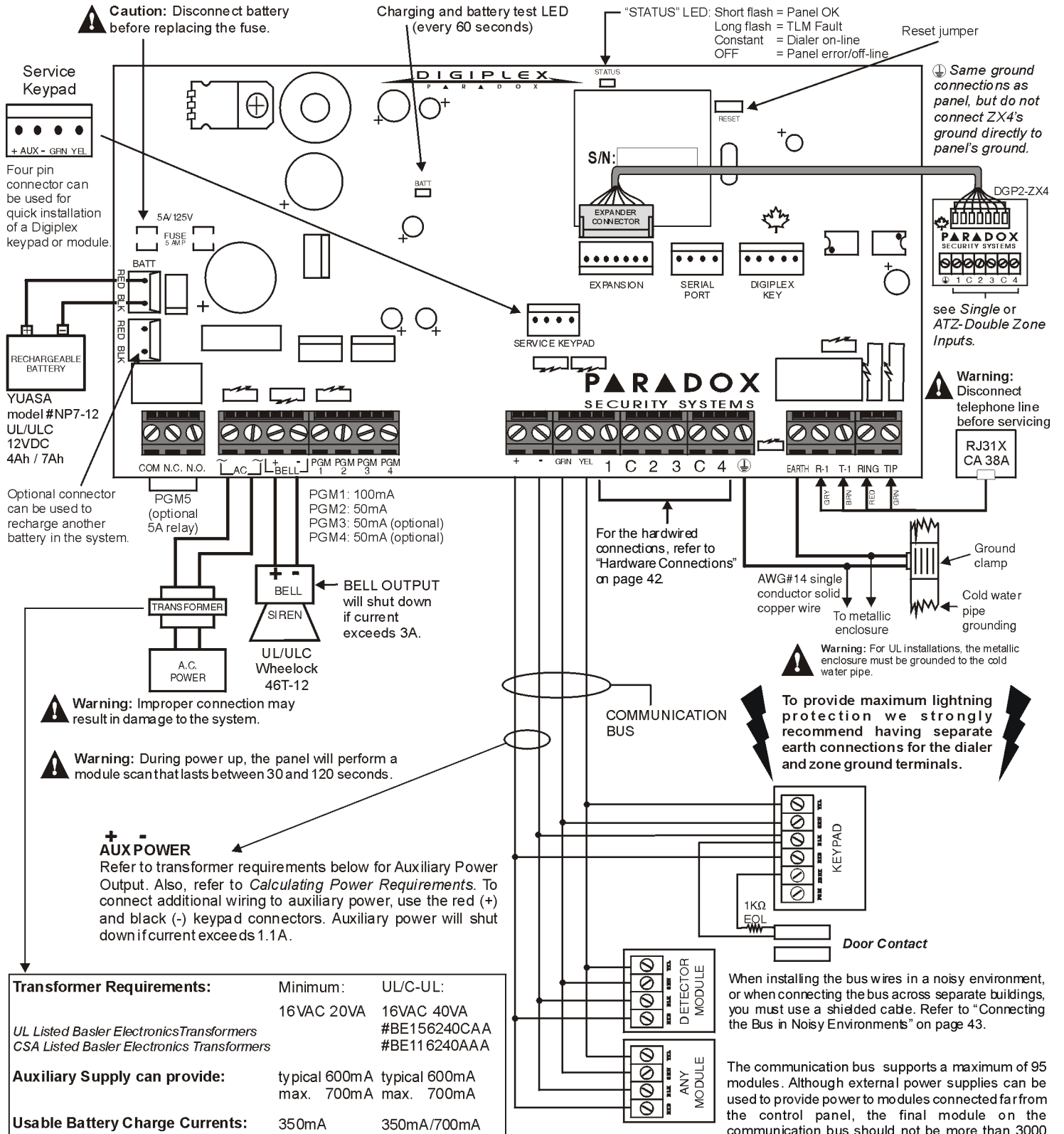
CONNECTING THE BUS IN NOISY ENVIRONMENTS

When installing the bus wires in proximity to high electrical interference such as neon lights, motors, high-voltage wiring, transformers, or if connecting the bus across separate buildings, you must use shielded cables. Connect the shielded cable as detailed below:

Within the Same Building: Strip the outer jacket at one end of the shielded cable to expose the shield and connect the shield to the control panel ground (not the dialer ground), while leaving the shield at the other end of the cable open (floating).

Across Separate Buildings: Strip the outer jacket at one end of the shielded cable to expose the shield. In the same building that houses the control panel, connect the exposed shield to a cold water pipe or any other earth ground available, while leaving the shield at the other end of the cable open (floating). The same configuration applies for any subsequent building.

PCB LAYOUT



Warning: All outputs are Class 2 or power-limited, except for the battery terminal. The Class 2 and power-limited fire alarm circuits shall be installed using CL3, CL3R, CL3P, or substitute cable permitted by the National Electric Code, ANSI/NFPA70.

Warning: Before adding any module to the control panel make sure you shutdown the panel by removing AC power and the battery.